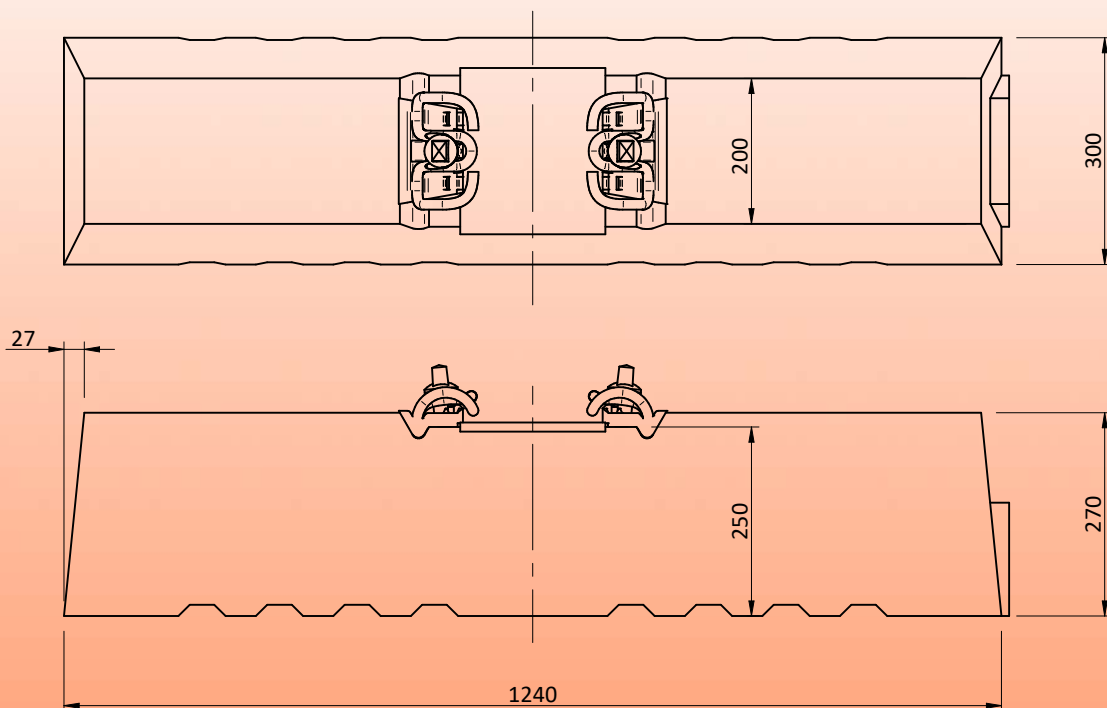
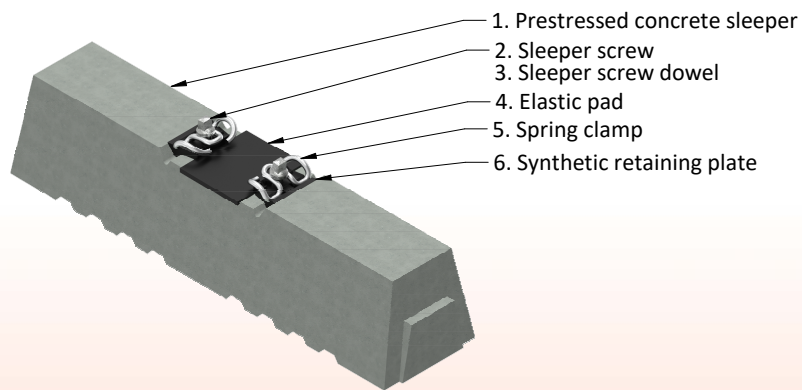
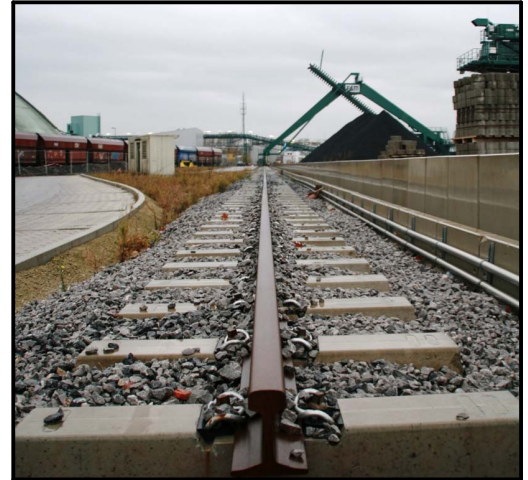


Crane-track sleeper Concrete



Characteristics of pre-fabricated concrete crane-track sleepers:

- Manufactured of high quality pre-stressed concrete.
- Suitable for maximum wheel load of 500 kN.
- Minimum life approx. 40 years.
- Relatively low installation cost.
- Simply adjustable after settling.
- Can be moved or removed easily after use.



BemoRail

Debbemeerweg 59
1749 DK Warmenhuizen
The Netherlands

Tel.: +31 (0)226 425300
Email: info@bemorail.nl
www.bemorail.com