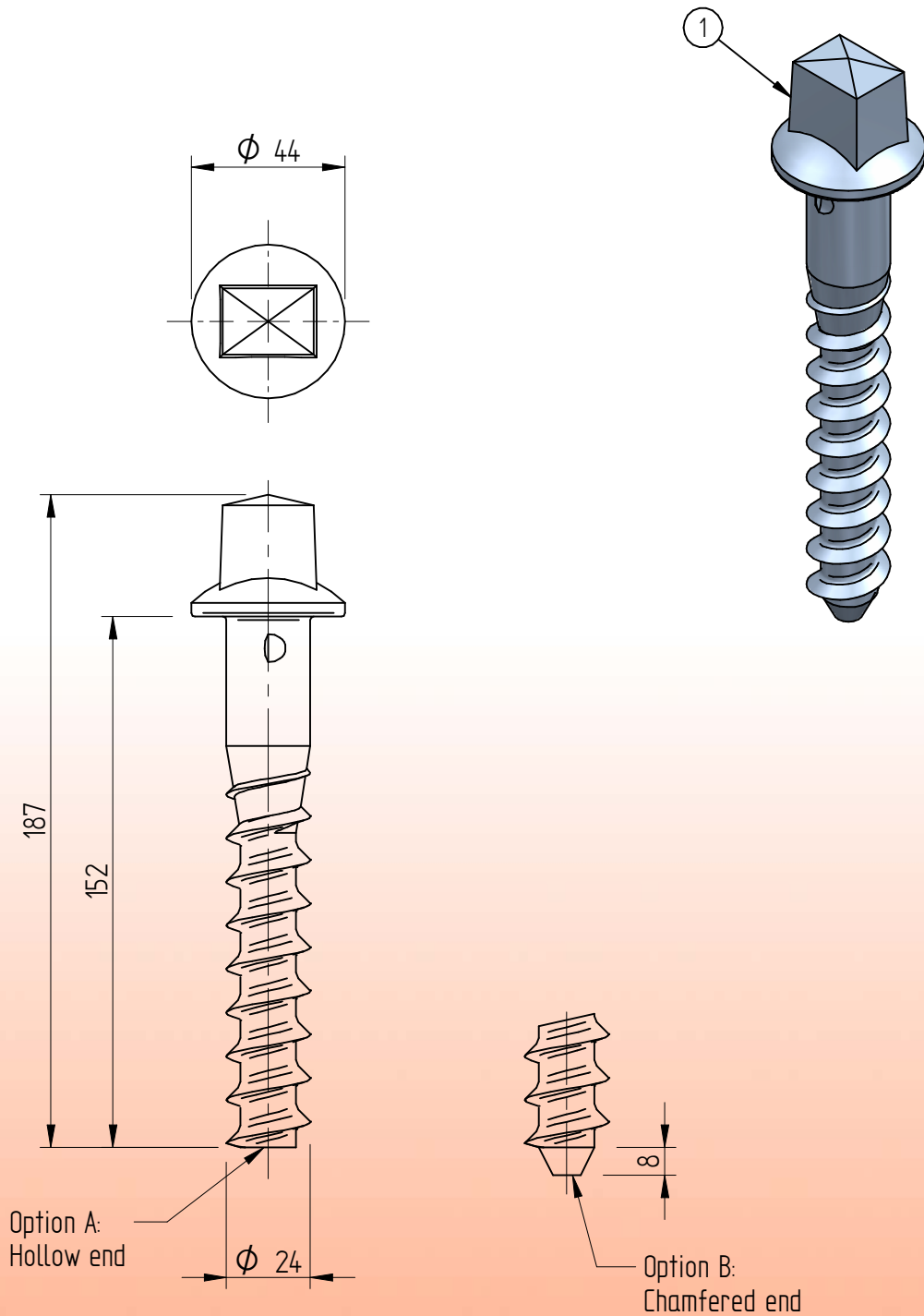


Standard fastening material

Sleeper screw Ss 8/160



* Standard preservation is hot dip galvanized and standard material grade is 4.6.
Other preservation and grade options in agreement.

1	Sleeper screw / Ss8	*	SS8 / $\Phi 24 \times 160$		m = 0,565 [kg]
Item	Description	Material	Type / Dimensions	Norm	Comments



BemoRail

Debbemeerweg 59
1749 DK Warmenhuizen
The Netherlands

Tel.: +31 (0)226 425300
Email: info@bemorail.nl
www.bemorail.com