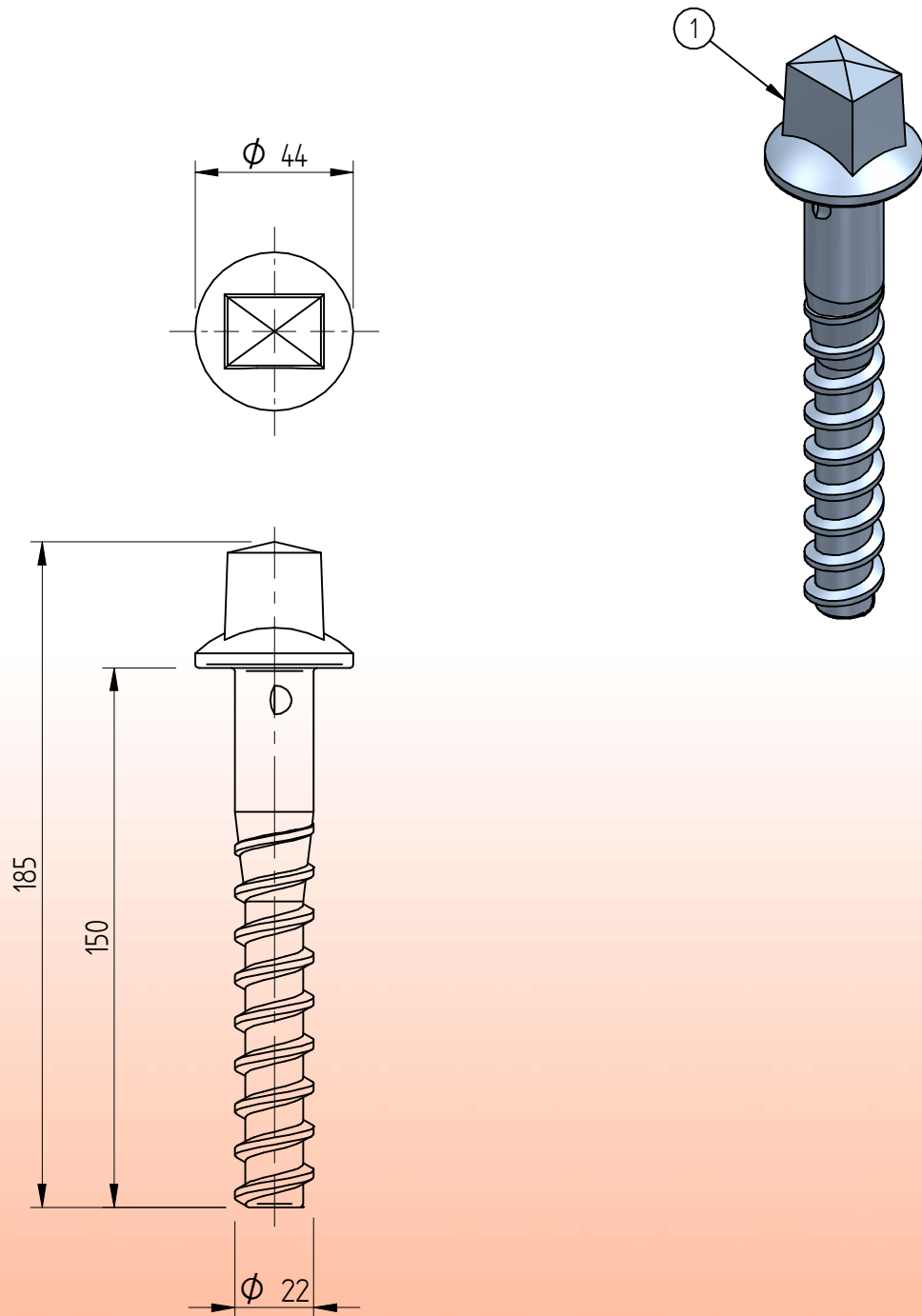


Standard fastening material

Sleeper screw Ss 1/150



* Standard preservation is hot dip galvanized and standard material grade is 4.6.
Other preservation and grade options in agreement.

1	Sleeper screw	*	Φ22x150		m = 0,556 [kg]
Item	Description	Material	Type / Dimensions	Norm	Comments



BemoRail

Debbemeerweg 59
1749 DK Warmenhuizen
The Netherlands

Tel.: +31 (0)226 425300
Email: info@bemorail.nl
www.bemorail.com