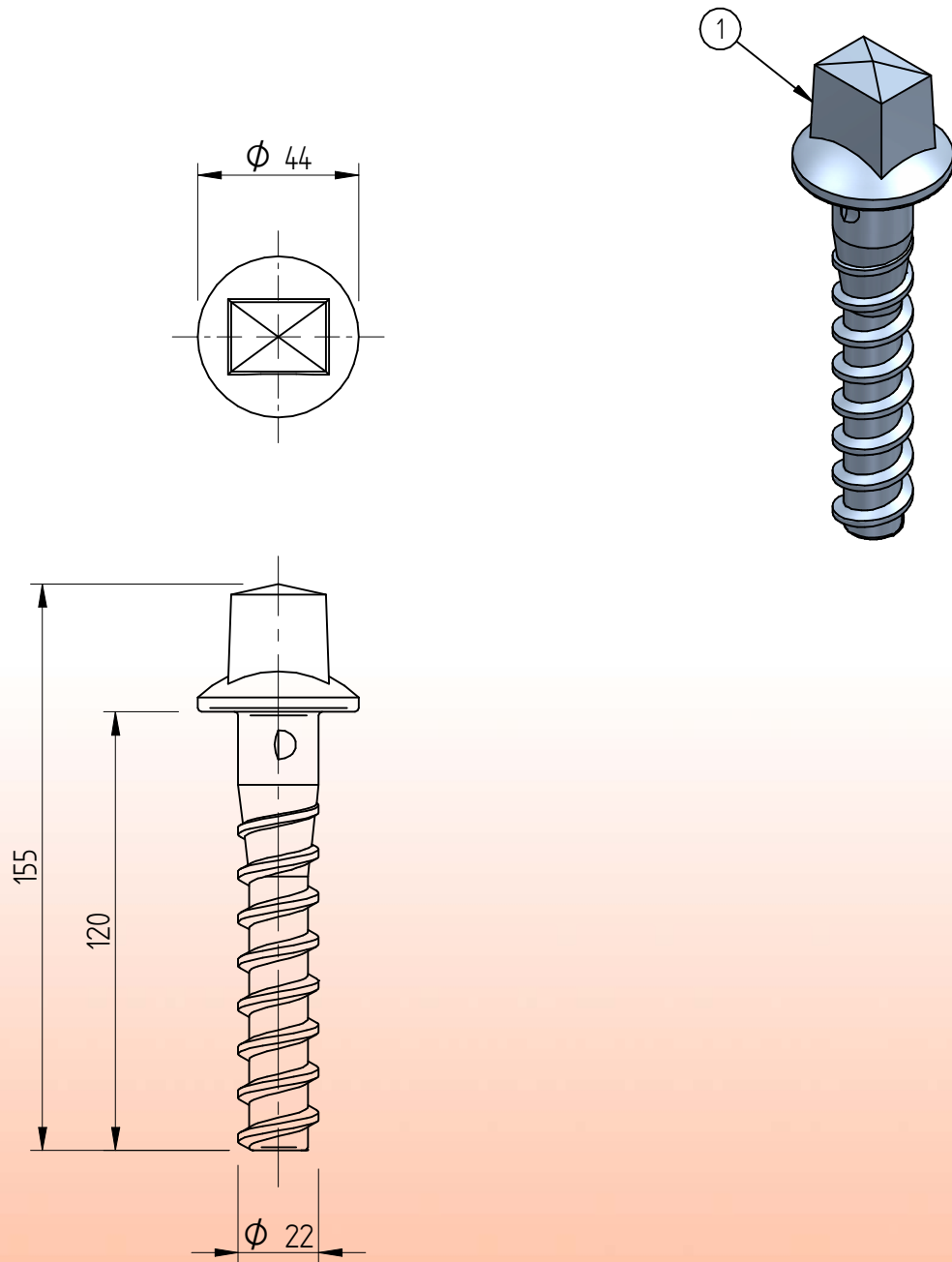


# Standard fastening material

## Sleeper screw Ss 1/120



\* Standard preservation is hot dip galvanized and standard material grade is 4.6.  
Other preservation and grade options in agreement.

1	Sleeper screw	*	$\phi 22 \times 120$		m = 0,438 [kg]
Item	Description	Material	Type / Dimensions	Norm	Comments



**BemoRail**

Debbemeerweg 59  
1749 DK Warmenhuizen  
The Netherlands

Tel.: +31 (0)226 425300  
Email: info@bemorail.nl  
www.bemorail.com