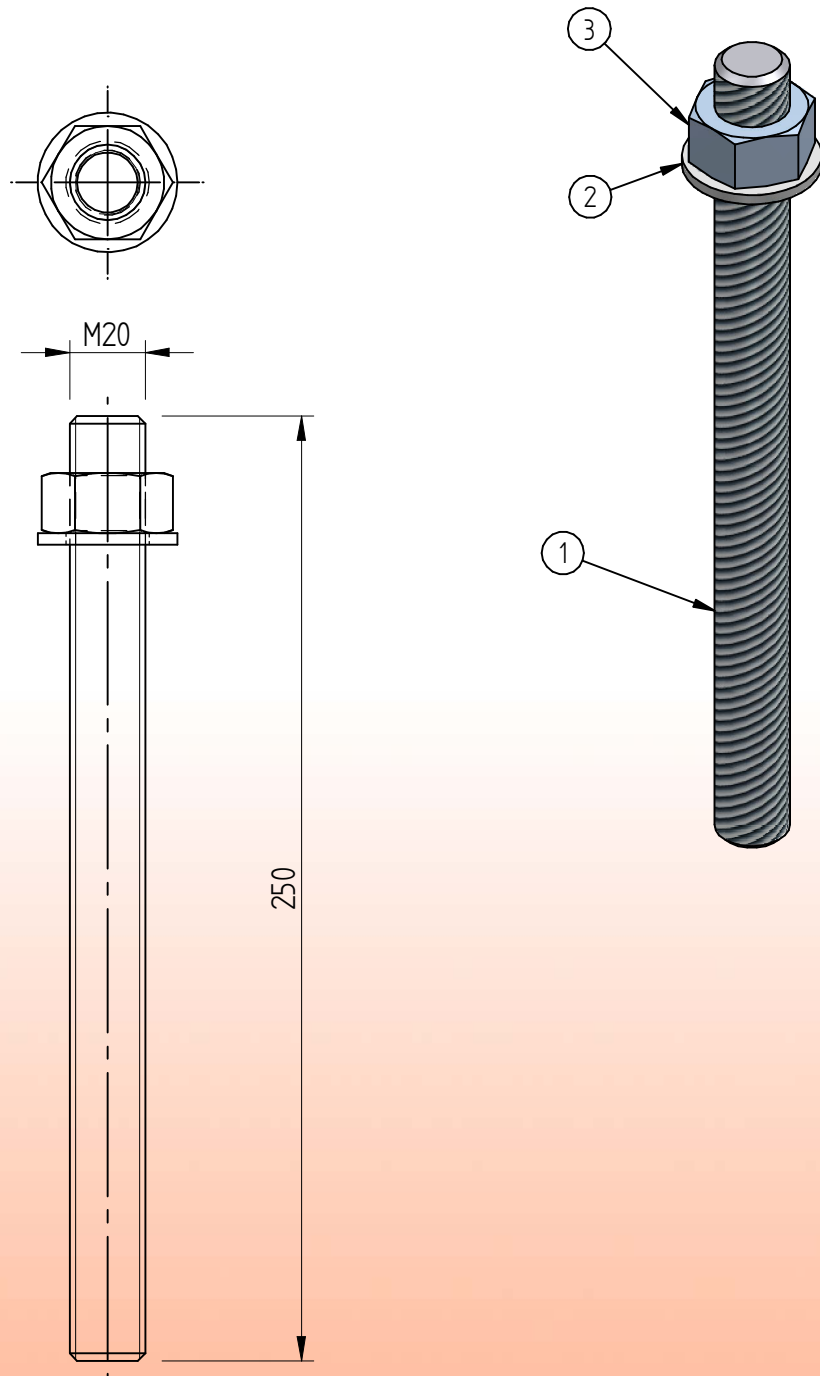


# Standard fastening material

## Anchor bolt M20x250



\* Standard preservation is hot dip galvanized and standard material grade is 8.8.  
Other preservation and grade options in agreement.

3	Hexagon nut	8 HDG.	M20	DIN 934	
2	Plain washer	St. HDG.	M20	DIN 126	
1	Anchorbolt	*	M20x250	DIN 976	m = 0,615 [kg]
Item	Description	Material	Type / Dimensions	Norm	Comments