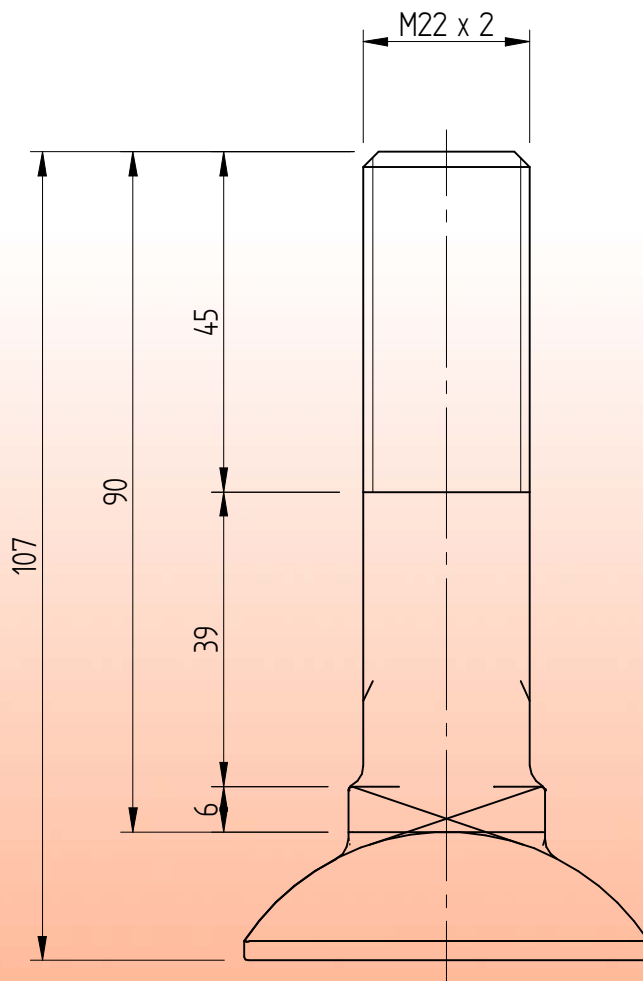
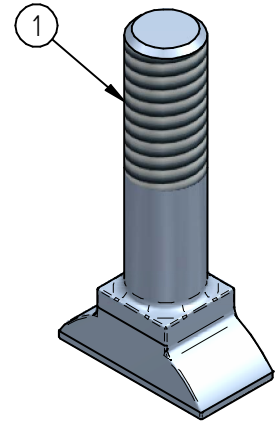
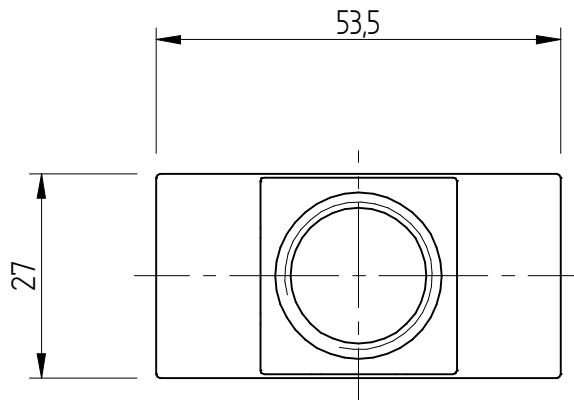


# Standard fastening material

## T-headed bolt HS 32/90



\* Standard preservation is hot dip galvanized or self-coloured.  
Other preservation and grade options in agreement.

| 1    | T bolt      | S235JR Grade 4,6* | Hs 32/90          |      | m = 0,344 [kg] |
|------|-------------|-------------------|-------------------|------|----------------|
| Item | Description | Material          | Type / Dimensions | Norm | Comments       |