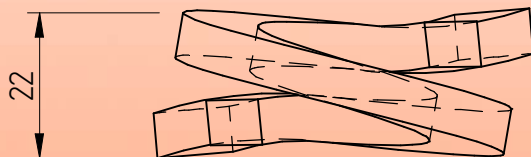
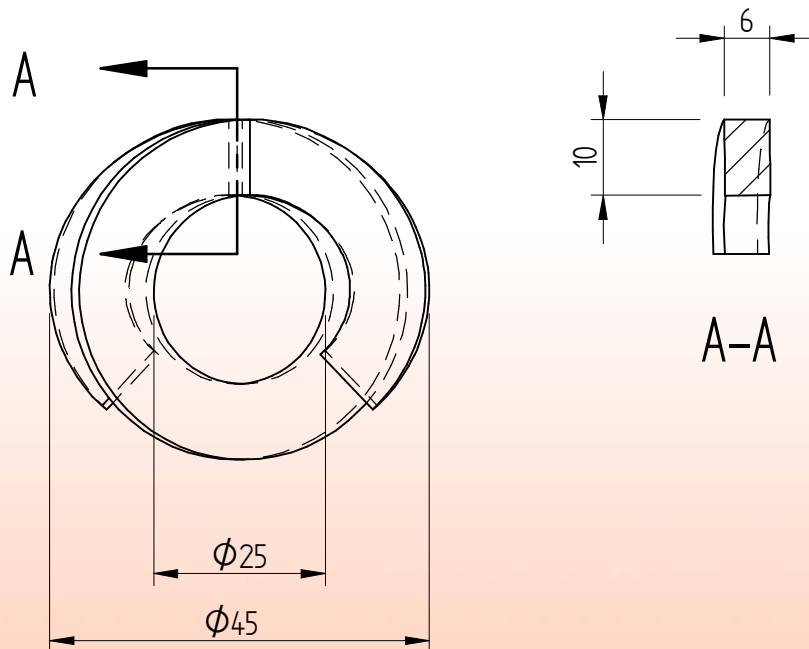
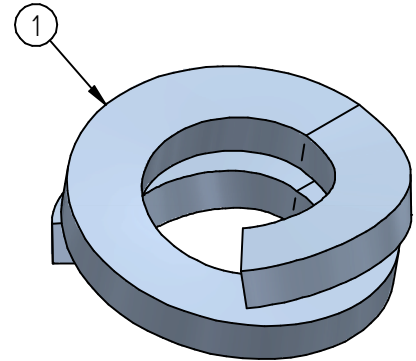


# Standard fastening material

## Spring washer Fe6



\* Standard preservation is self-coloured.

Other preservation and grade options in agreement.

1	Spring washer / Fe6	38Si7 / 65Mn*	Fe6 / $\phi 45/25 \times 22$		m = 0,090 [kg]
Item	Description	Material	Type / Dimensions	Norm	Comments