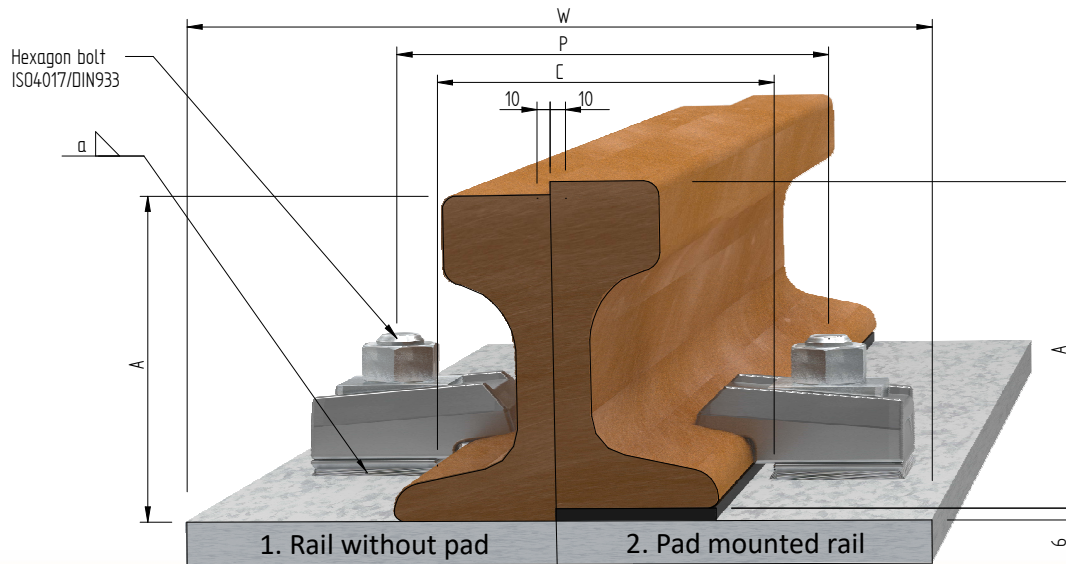


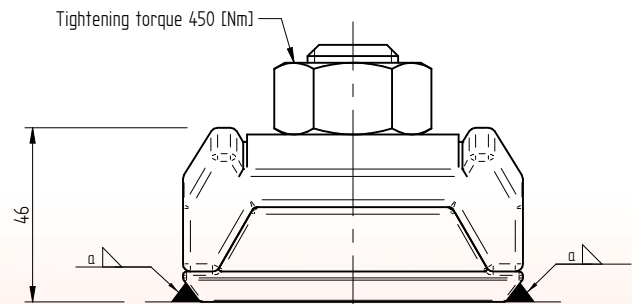
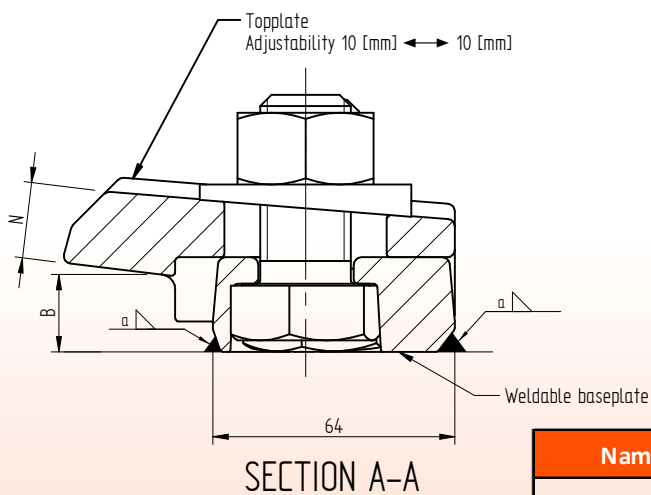
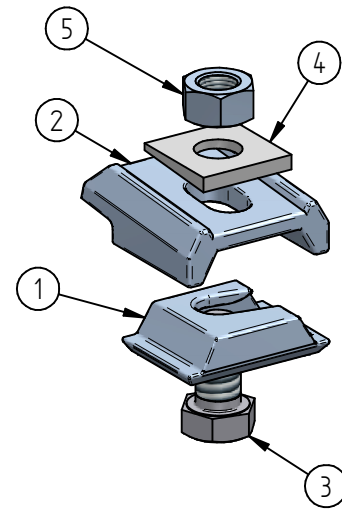
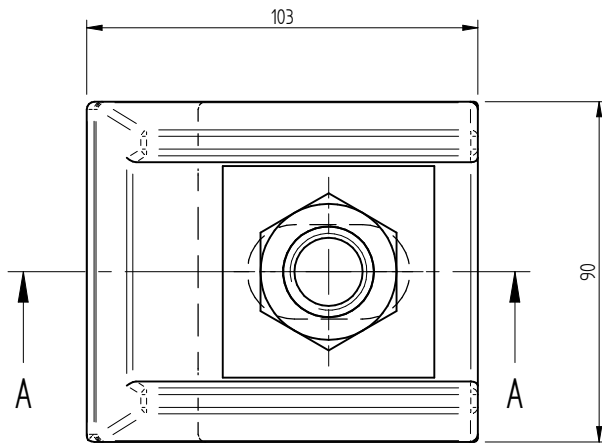
# Adjustable weldable rail clip WM24



	Inside distance between baseplates			V	Rail base + 20	[mm]
	Distance between bolts M24			P	Rail base + 69	[mm]
	Minimum width sole plate			W	Rail base + 170	[mm]
	F [mm]	C [mm]	A [mm]	1. Rail without pad		2. Pad mounted rail
A120	220	120	105	WM24 N24		WM24 N18
A150	220	150	150	WM24 N22		WM24 N16
AS86	150	101,6	152,4	WM24 N22		WM24 N16
PRI85r	152,4	101,6	152,4	WM24 N22		WM24 N16
MRS87A	152,4	101,6	152,4	WM24 N22		WM24 N16
MRS125	180	120	180	WM24 N16		WM24 N10
BSC101	165	100	155	WM24 N20		WM24 N14
ISCR100	150	100	150	WM24 N26		WM24 N20
ISCR120	170	120	170	WM24 N22		WM24 N16
ISCR140	170	140	170	WM24 N18		WM24 N12
QU100	150	100	150	WM24 N26		WM24 N20
QU120	170	120	170	WM24 N22		WM24 N16

Specification Bolts		Fillet weld	Max side load [kN]	
Hexagon headscrew:	ISO4017 / DIN933	a5	200 [kN]	
Steel grade:	8.8 HDG			
Tightening torque:	450 [Nm]			

# Adjustable weldable rail clip WM24



Name	N	B	Mass topplate
WM24 N10	10,0 [mm]	30,4 [mm]	1,039 [kg]
WM24 N12	12,0 [mm]	28,4 [mm]	1,079 [kg]
WM24 N14	14,0 [mm]	26,4 [mm]	1,117 [kg]
WM24 N16	16,0 [mm]	24,4 [mm]	1,153 [kg]
WM24 N18	18,0 [mm]	22,4 [mm]	1,189 [kg]
WM24 N20	20,0 [mm]	20,4 [mm]	1,225 [kg]
WM24 N22	22,0 [mm]	18,4 [mm]	1,259 [kg]
WM24 N24	24,0 [mm]	16,4 [mm]	1,293 [kg]
WM24 N26	26,0 [mm]	14,4 [mm]	1,329 [kg]

\* Standard preservation is hot dip galvanized.  
Other preservation options in agreement

5	Hexagon nut	8 HDG.	M24	DIN 934	
4	Square taper washer	St. HDG.	M24	DIN 434	8%
3	Hexagon head screw	8.8 HDG.	M24x50	DIN 933	m = 0,306 [kg]
2	Topplate weldable railclip	S235JR*	WM24		m = table topplate
1	Baseplate weldable railclip	S355J0	WM24B H25 self coulered		m = 0,547 [kg]
Item	Discription	Material	Type / Dimensions	Norm	Comments