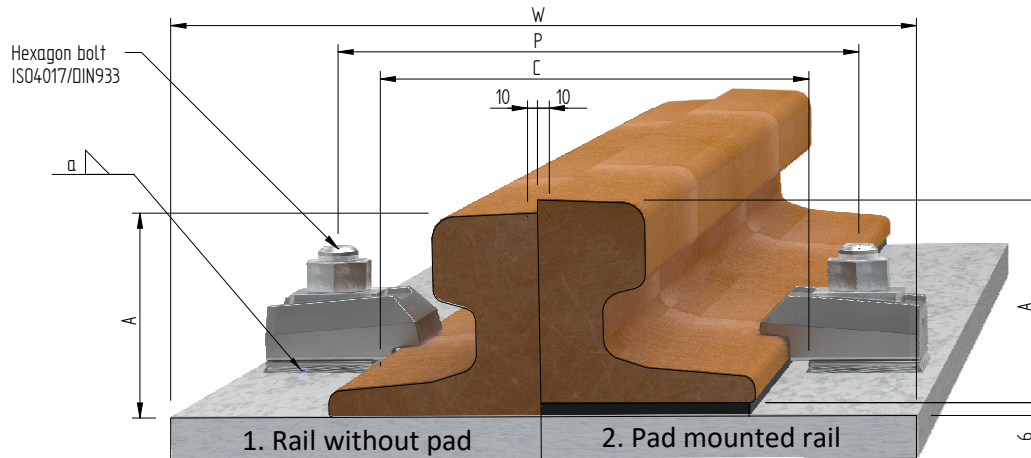
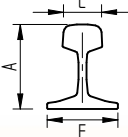


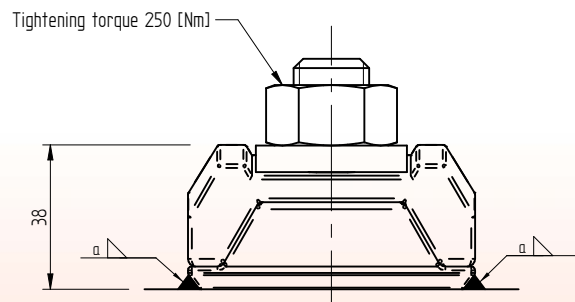
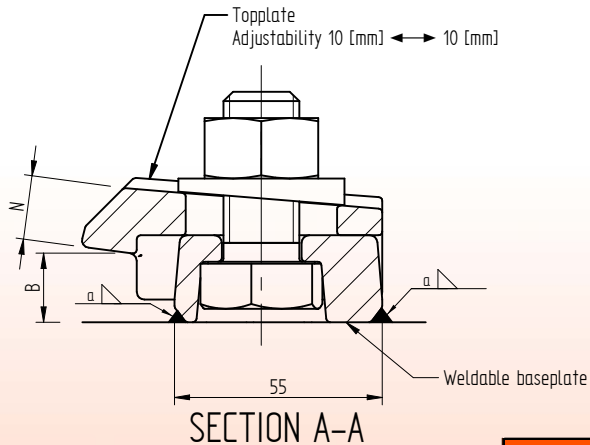
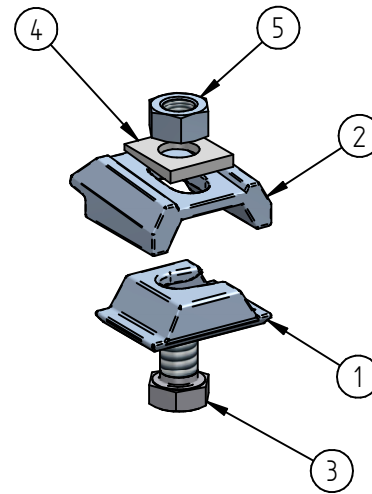
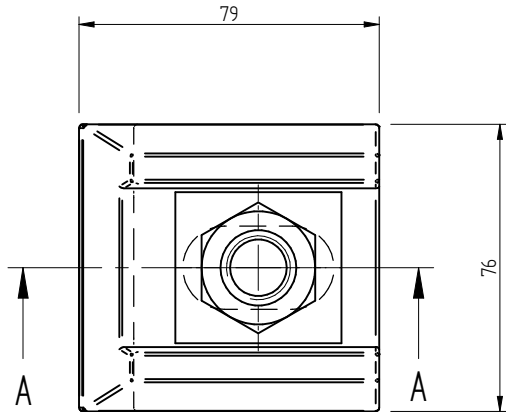
Adjustable weldable rail clip WM20



	Inside distance between baseplates			V	Rail base + 20	[mm]
	Distance between bolts M20			P	Rail base + 66	[mm]
	Minimum width sole plate			W	Rail base + 145	[mm]
	F [mm]	C [mm]	A [mm]	1. Rail without pad		2. Pad mounted rail
A75	200	75	85	WM20 N25		WM20 N19
A100	200	100	95	WM20 N25		WM20 N19
A120	220	120	105	WM20 N21		WM20 N15
AS86	150	101,6	152,4	WM20 N19		WM20 N13
PRI85r	152,4	101,6	152,4	WM20 N19		WM20 N13
MRS51	127	64	127	WM20 N23		WM20 N17
MRS67	132	76	146	WM20 N23		WM20 N17
MRS87A	152,4	101,6	152,4	WM20 N19		WM20 N13
ISCR70	120	70	120	WM20 N25		WM20 N19
ISCR80	130	80	130	WM20 N25		WM20 N19
ISCR100	150	100	150	WM20 N23		WM20 N17
ISCR120	170	120	170	WM20 N21		WM20 N15
QU70	120	70	120	WM20 N25		WM20 N19
QU80	130	80	130	WM20 N25		WM20 N19
QU100	150	100	150	WM20 N23		WM20 N17
QU120	170	120	170	WM20 N21		WM20 N15
49E1 (S49)	125	67	149	WM20 N25		WM20 N19
S54	125	67	154	WM20 N25		WM20 N19
46E3 (NP46)	120	72	142	WM20 N25		WM20 N19
50E2 (EB50T)	140	67	151	WM20 N25		WM20 N19
EB63	140	72	151	WM20 N21		WM20 N15
54E1 (UIC54)	140	70	159	WM20 N25		WM20 N19
60E1 (UIC60)	150	72	172	WM20 N25		WM20 N19

Specification Bolts		Fillet weld 	Max side load [kN]	
Hexagon headscrew:	ISO4017 / DIN933	a4	140 [kN]	
Steel grade:	8.8 HDG			
Tightening torque:	300 [Nm]			

Adjustable weldable rail clip WM20



* Standard preservation is hot dip galvanized.
Other preservation options in agreement

Name	N	B	Mass topplate
WM20 N13	13,0 [mm]	22,2 [mm]	0,621 [kg]
WM20 N15	15,0 [mm]	20,2 [mm]	0,635 [kg]
WM20 N17	17,0 [mm]	18,2 [mm]	0,648 [kg]
WM20 N19	19,0 [mm]	16,2 [mm]	0,661 [kg]
WM20 N21	21,0 [mm]	14,2 [mm]	0,672 [kg]
WM20 N23	23,0 [mm]	12,2 [mm]	0,684 [kg]
WM20 N25	25,0 [mm]	10,2 [mm]	0,694 [kg]

5	Hexagon nut	8 HDG.	M20	DIN 934	
4	Square taper washer	St. HDG.	M20	DIN 434	8%
3	Hexagon head screw	8.8 HDG.	M20x45	DIN933	
2	Topplate weldable railclip WM20	S235JR*	WM20		m = table topplate
1	Baseplate weldable railclip WM20	S355J0	WM20B H23 self coulered		m = 0,322 [kg]
Item	Discription	Material	Type / Dimensions	Norm	Comments