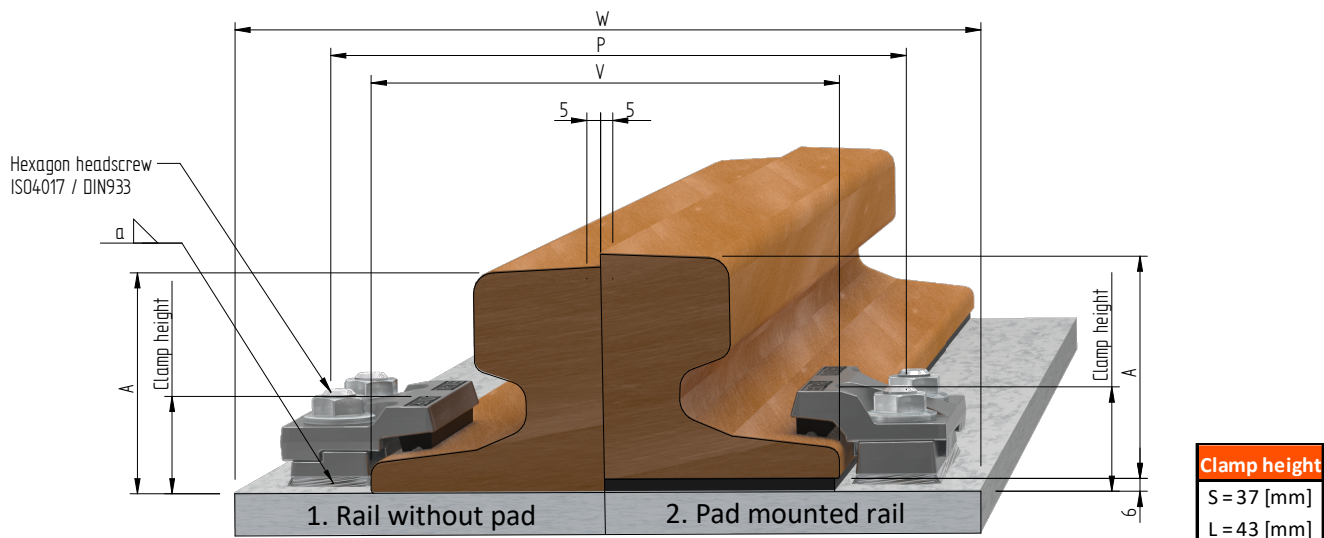


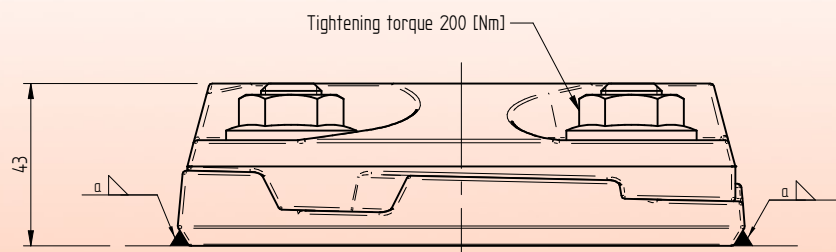
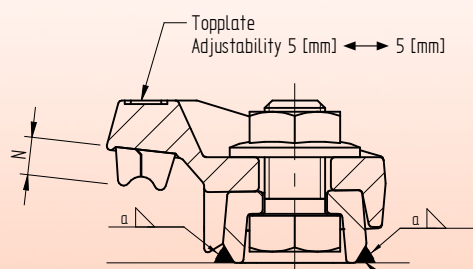
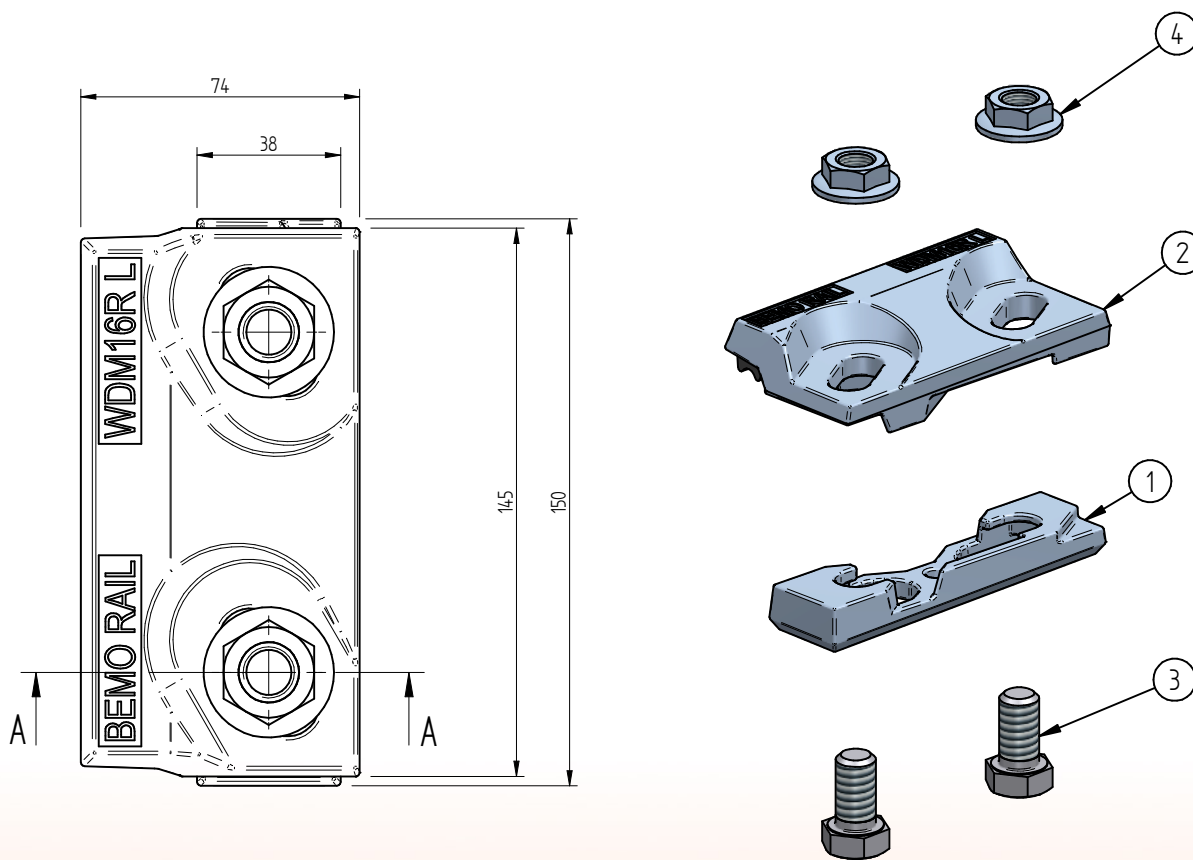
Adjustable weldable double rail clip WDM16R



	Inside distance between baseplates			V	Rail base + 10	[mm]
	Distance between bolts M16			P	Rail base + 48	[mm]
	Minimum width sole plate			W	Rail base + 100	[mm]
	F [mm]	C [mm]	A [mm]	1. Rail without pad		2. Pad mounted rail
A65	175	65	75	WDM16R S		WDM16R L
A75	200	75	85	WDM16R S		WDM16R L
A100	200	100	95	WDM16R S		WDM16R L
A120	220	120	105	WDM16R S		WDM16R L
MRS51	127	64	127	WDM16R S		WDM16R L
MRS67	132	76	146	WDM16R S		WDM16R L
ISCR70	120	70	120	WDM16R S		WDM16R L
ISCR80	130	80	130	WDM16R S		WDM16R L
ISCR100	150	100	150	WDM16R S		WDM16R L
ISCR120	170	120	170	WDM16R S		WDM16R L
QU70	120	70	120	WDM16R S		WDM16R L
QU80	130	80	130	WDM16R S		WDM16R L
QU100	150	100	150	WDM16R S		WDM16R L
QU120	170	120	170	WDM16R S		WDM16R L
40E1 (S41-R14)	125	67	138	WDM16R S		WDM16R L
41E1 (S41-R10)	125	67	138	WDM16R S		WDM16R L
49E1 (S49)	125	67	149	WDM16R S		WDM16R L
S54	125	67	154	WDM16R S		WDM16R L
46E3 (NP46)	120	72	142	WDM16R S		WDM16R L
50E2 (EB50T)	140	67	151	WDM16R S		WDM16R L
EB63	140	72	151	WDM16R S		WDM16R L
54E1 (UIC54)	140	70	159	WDM16R S		WDM16R L
60E1 (UIC60)	150	72	172	WDM16R S		WDM16R L

Specification Bolts		Fillet weld	Max side load [kN]	
Hexagon headscrew:	ISO4017 / DIN933	a4	200 [kN]	
Steel grade:	8.8 HDG	a5	260 [kN]	
Tightening torque:	200 [Nm]			

Adjustable weldable double rail clip WDM16R L



SECTION A-A — Weldable baseplate

Name	N
WDM16C L N10	10,0 [mm]
WDM16C L N12	12,0 [mm]
WDM16C L N14	14,0 [mm]

* Standard preservation is hot dip galvanized.
Other preservation options in agreement

4	Hexagon flange nut	Grade 8 H.D.G.	M16 ISO-metric	-	m = 0,044 [kg]
3	Hexagon head screw	8.8 H.D.G	M16x30	DIN 933	Zinc Plated
2	Weldable adjustable rail clamp cover	S355J2	WDM16RC L		m = 1,086 [kg]
1	Weldable adjustable rail clamp base	S355J2 self coloured	WDM16RB		m = 0,399 [kg]
Item	Description	Material	Type / Dimensions	Norm	Comments

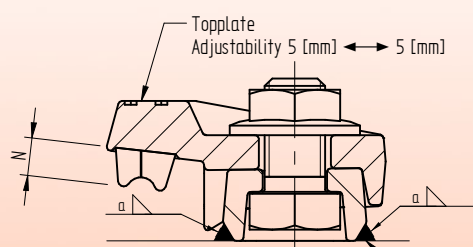
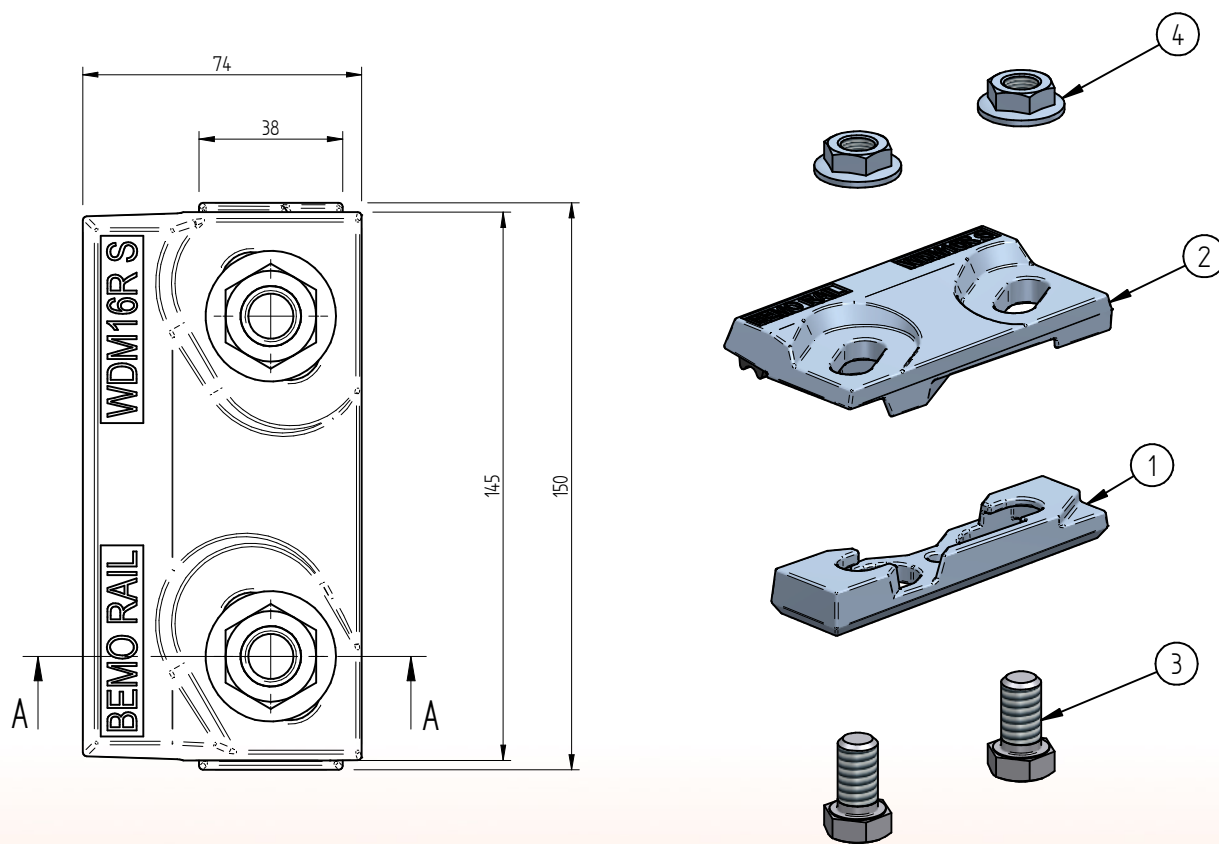


BemoRail

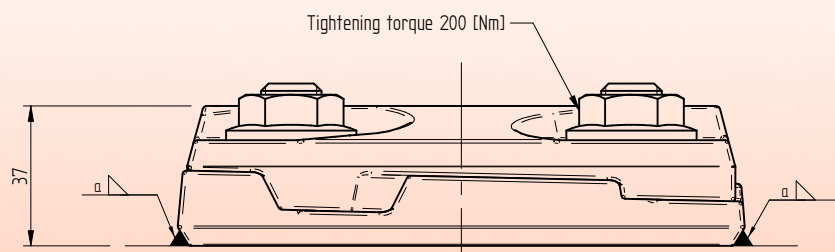
Debbemeerweg 59
1749 DK Warmenhuizen
The Netherlands

Tel.: +31 (0)226 425300
Email: info@bemorail.nl
www.bemorail.com

Adjustable weldable double rail clip WDM16R S



SECTION A-A — Weldable baseplate



* Standard preservation is hot dip galvanized.
Other preservation options in agreement

Name	N
WDM16C S N10	10,0 [mm]
WDM16C S N12	12,0 [mm]
WDM16C S N14	14,0 [mm]

4	Hexagon flange nut	Grade 8 H.D.G.	M16 ISO-metric	-	m = 0,044 [kg]
3	Hexagon head screw	8.8 H.D.G.	M16x30	DIN 933	Zinc Plated
2	Weldable adjustable rail clamp cover S with rubber nose	S355J2*	WDM16RC S		m = 1,052 [kg]
1	Weldable adjustable rail clamp base	S355J2 self coloured	WDM16RB		m = 0,399 [kg]
Item	Description	Material	Type / Dimensions	Norm	Comments