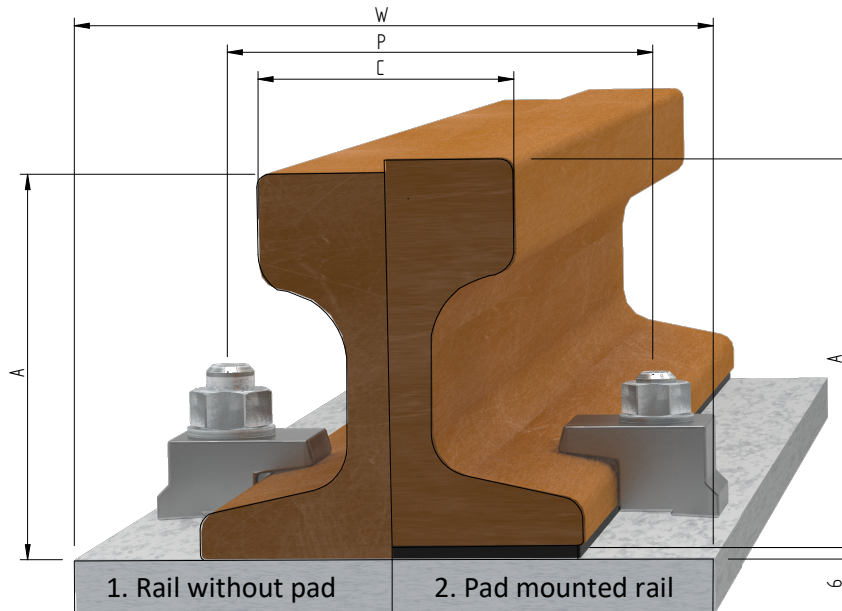


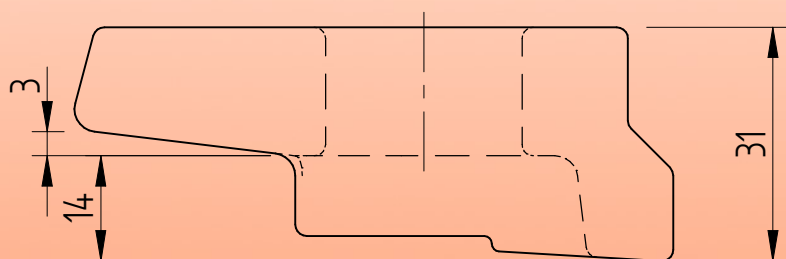
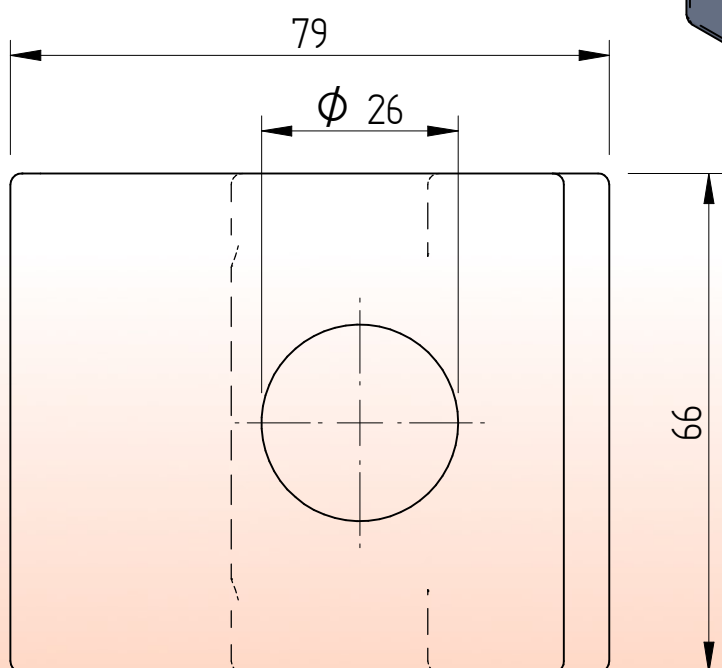
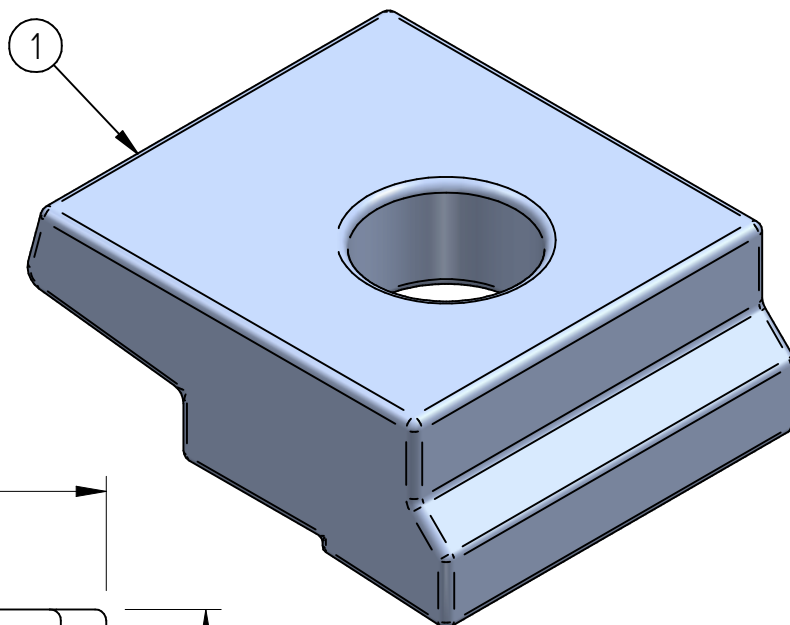
Standard rail clip FM24



	Distance between stud M24			P	Rail base + 34	[mm]
	Minimum assembly width clips			W	Rail base + 100	[mm]
	Nominal width sole plate with anchorbolts			W	Rail base + 120	[mm]
	F [mm]	C [mm]	A [mm]	1. Rail without pad		2. Pad mounted rail
A120	220	120	105	FM24 H31		FM24 H37
A150	220	150	150	FM24 H34		FM24 H40
AS86	150	101,6	152,4	FM24 H34		FM24 H40
PRI85r	152,4	101,6	152,4	FM24 H34		FM24 H40
MRS87A	152,4	101,6	152,4	FM24 H34		FM24 H40
MRS125	180	120	180	FM24 H40		FM24 H46
BSC101	165	100	155	FM24 H34		FM24 H40
ISCR100	150	100	150	FM24 H31		FM24 H37
ISCR120	170	120	170	FM24 H34		FM24 H40
ISCR140	170	140	170	FM24 H40		FM24 H46
QU100	150	100	150	FM24 H31		FM24 H37
QU120	170	120	170	FM24 H34		FM24 H40

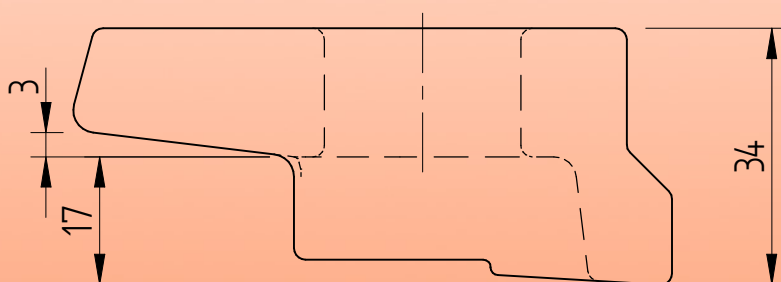
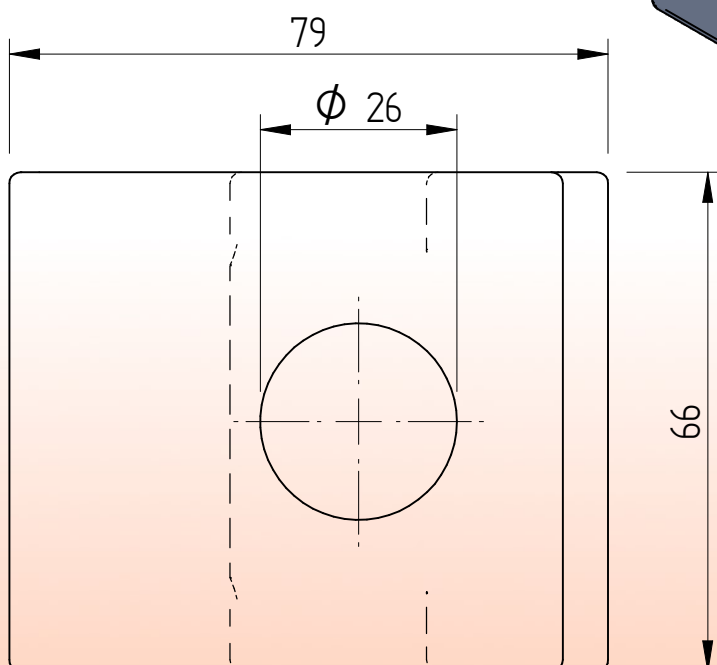
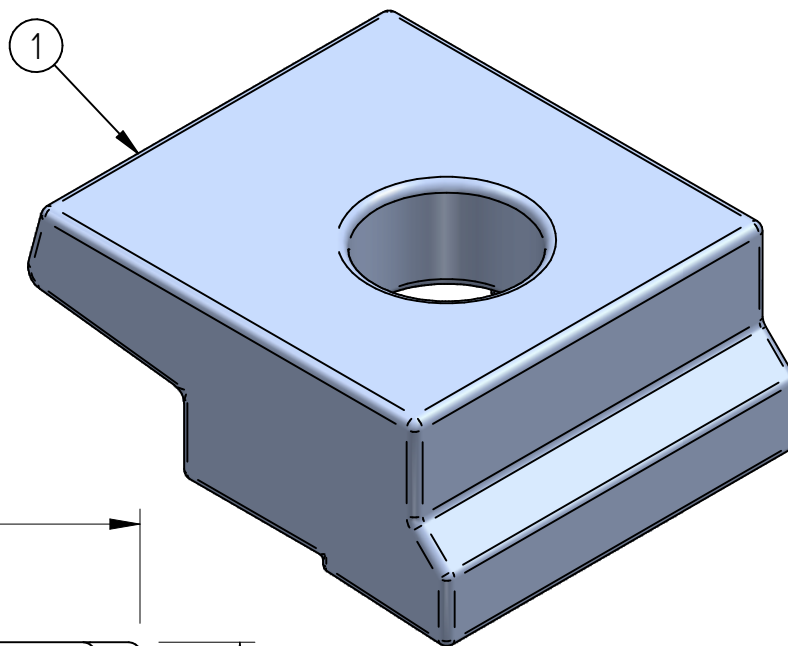
Specification	Stud bolt M24 DIN938 Grade 8.8 HDG	
Maximum side load without Fv	125 [kN]	
Tightening torque	450 [Nm]	

Standard rail clip FM24 H31



Item	Description	Material	Type / Dimensions	Norm	Comments
1	Railclip FM24	S235JR H.D.G.	FM24 H31		m = 0,713 [kg]

Standard rail clip FM24 H34



Item	Description	Material	Type / Dimensions	Norm	Comments
1	Railclip FM24	S235JR H.D.G.	FM24 H34		m = 0,743 [kg]

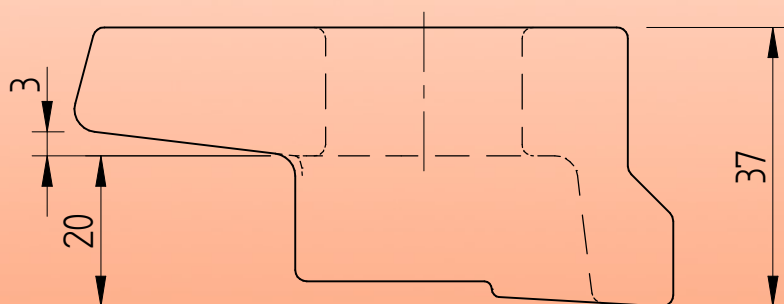
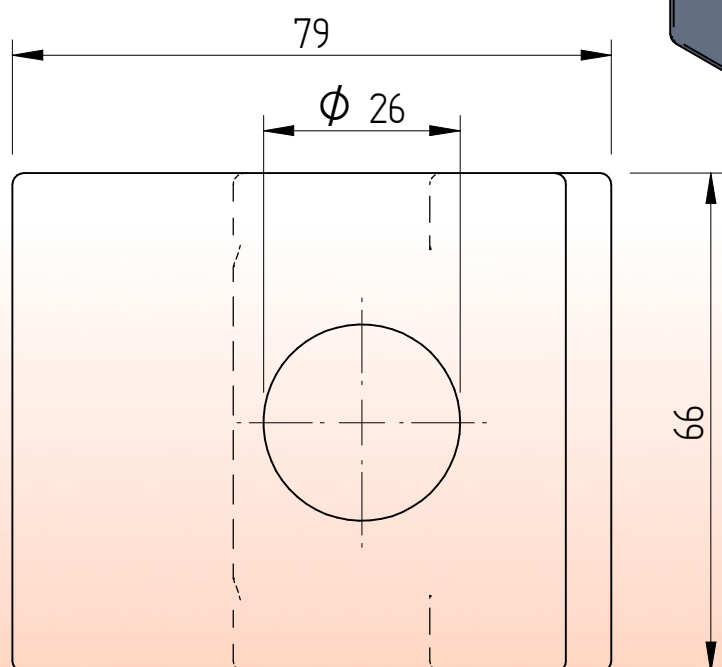
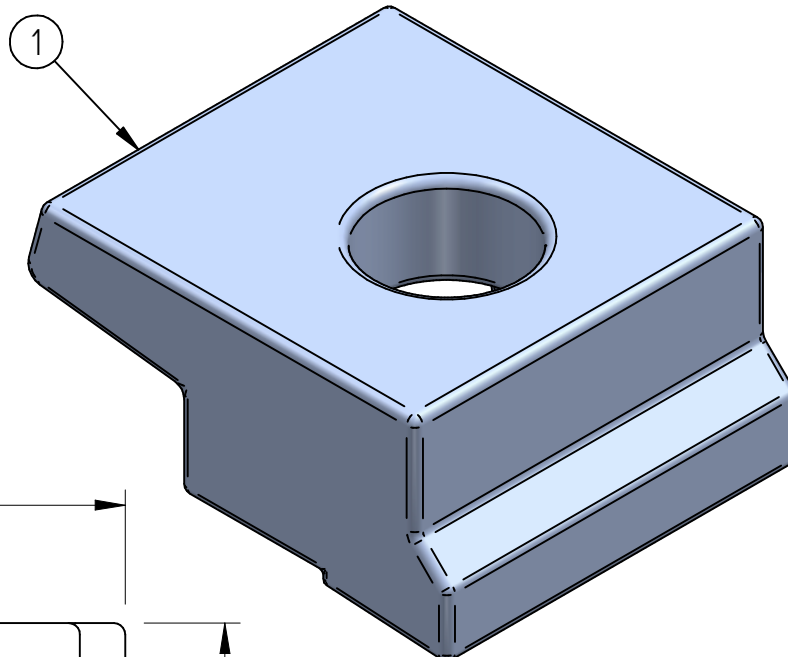


BemoRail

Debbemeerweg 59
1749 DK Warmenhuizen
The Netherlands

Tel.: +31 (0)226 425300
Email: info@bemorail.nl
www.bemorail.com

Standard rail clip FM24 H37



Item	Description	Material	Type / Dimensions	Norm	Comments
1	Railclip FM24	S235JR H.D.G.	FM24 H37		m = 0,772 [kg]

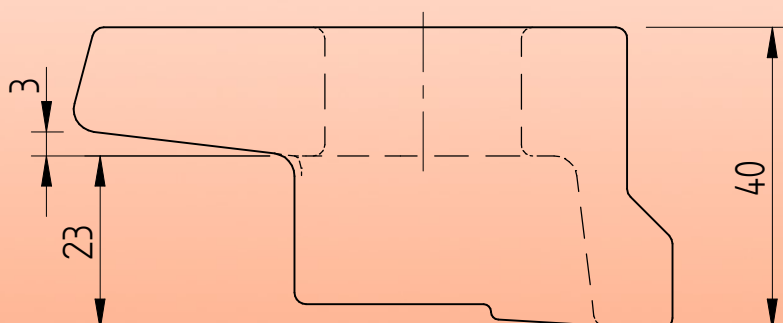
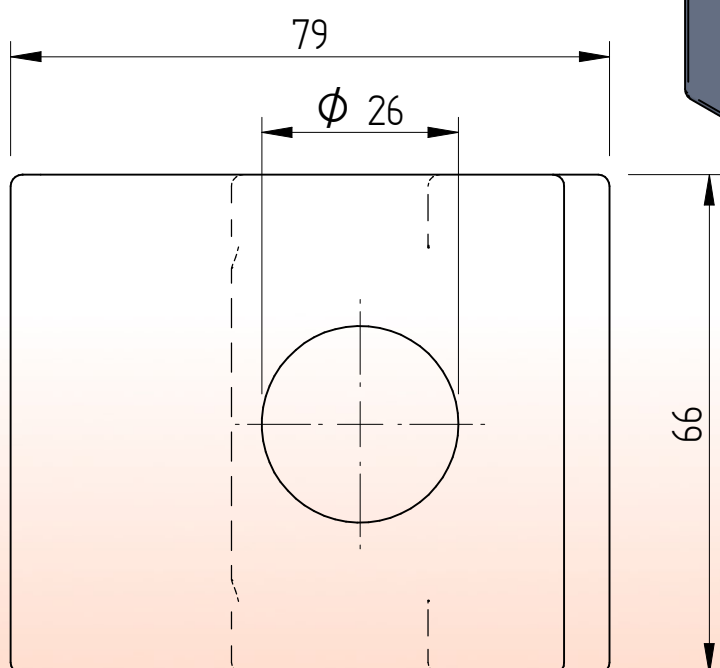
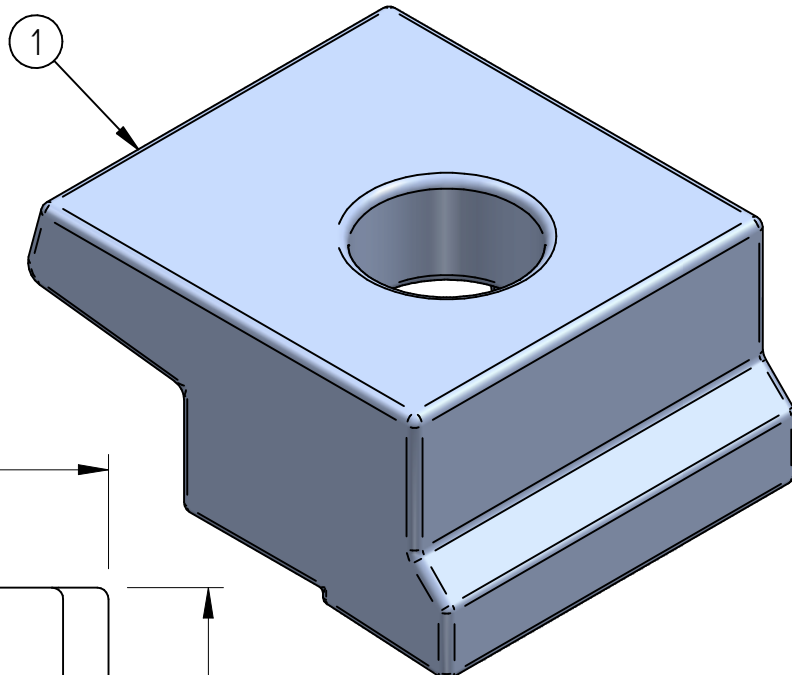


BemoRail

Debbemeerweg 59
1749 DK Warmenhuizen
The Netherlands

Tel.: +31 (0)226 425300
Email: info@bemorail.nl
www.bemorail.com

Standard rail clip FM24 H40



Item	Description	Material	Type / Dimensions	Norm	Comments
1	Railclip FM24	S235JR H.D.G.	FM24 H40		m = 0,799 [kg]

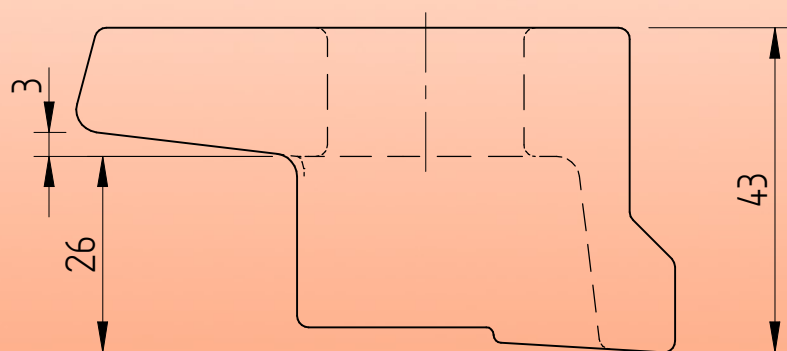
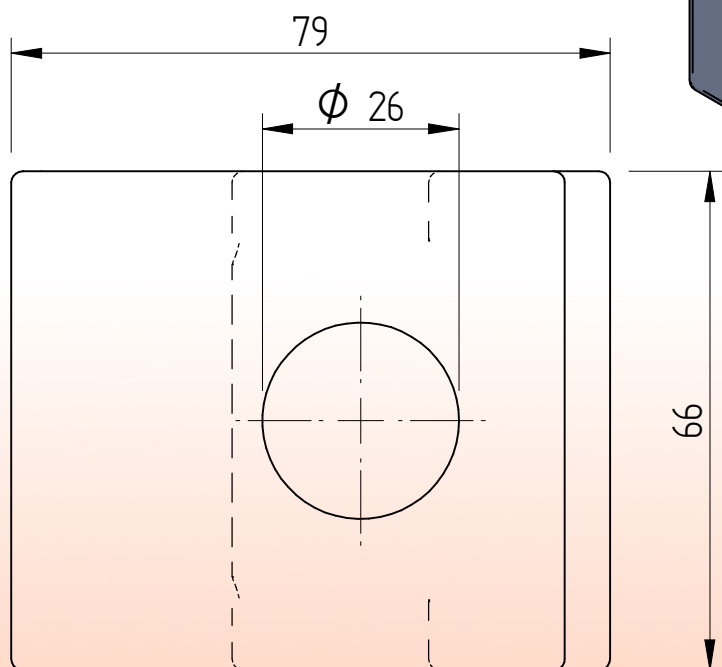
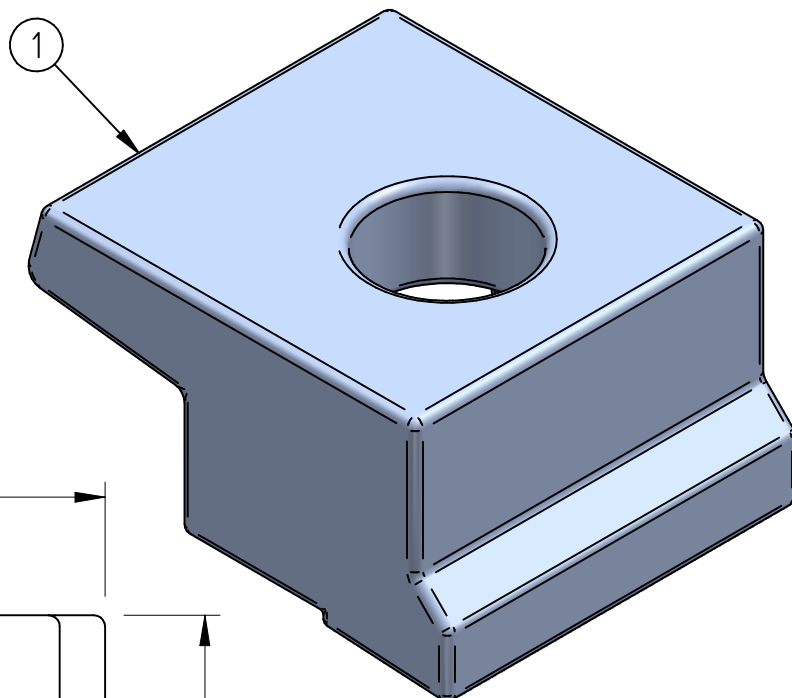


BemoRail

Debbemeerweg 59
1749 DK Warmenhuizen
The Netherlands

Tel.: +31 (0)226 425300
Email: info@bemorail.nl
www.bemorail.com

Standard rail clip FM24 H43



Item	Description	Material	Type / Dimensions	Norm	Comments
1	Railclip FM24	S235JR H.D.G.	FM24 H43		m = 0,826 [kg]

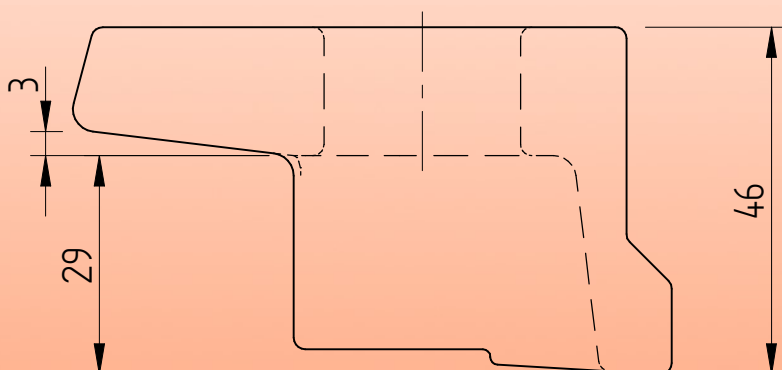
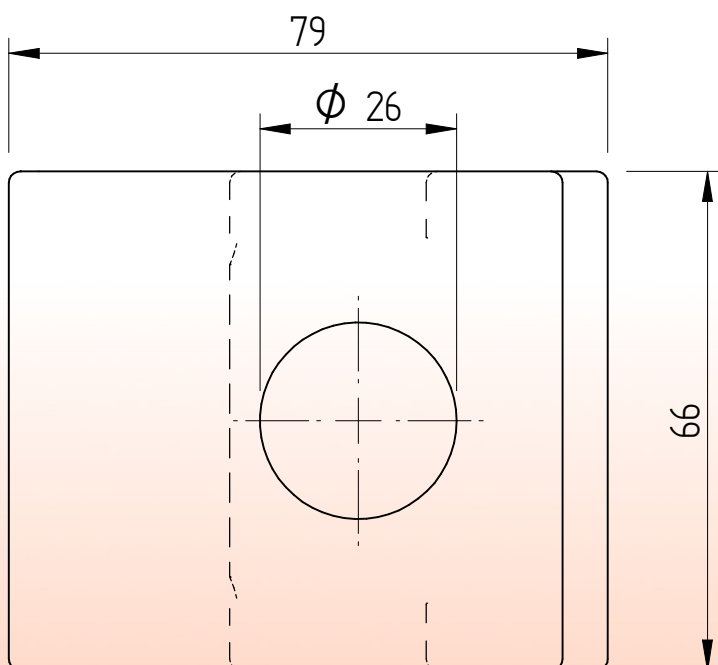
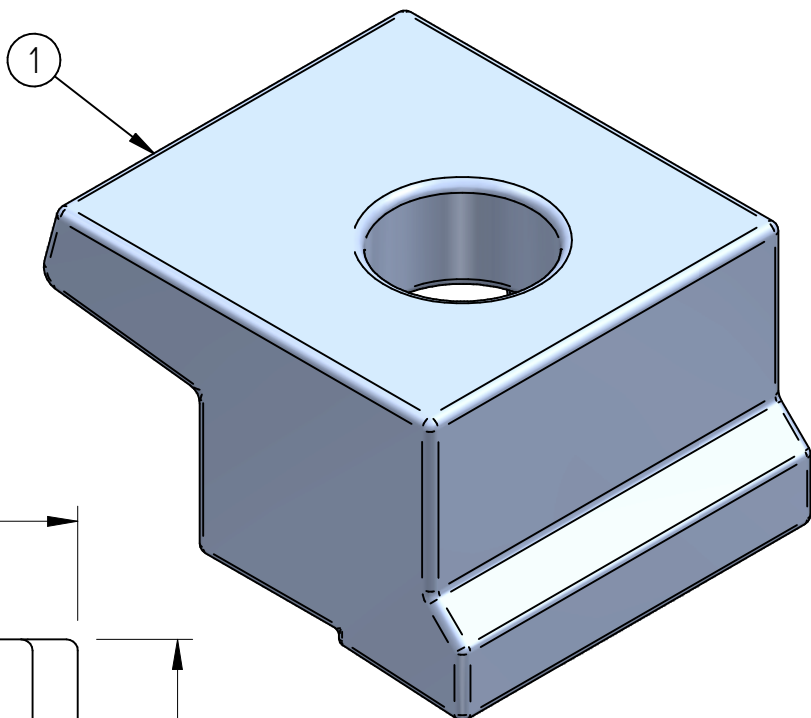


BemoRail

Debbemeerweg 59
1749 DK Warmenhuizen
The Netherlands

Tel.: +31 (0)226 425300
Email: info@bemorail.nl
www.bemorail.com

Standard rail clip FM24 H46



Item	Description	Material	Type / Dimensions	Norm	Comments
1	Railclip FM24	S235JR H.D.G.	FM24 H46		m = 0,852 [kg]

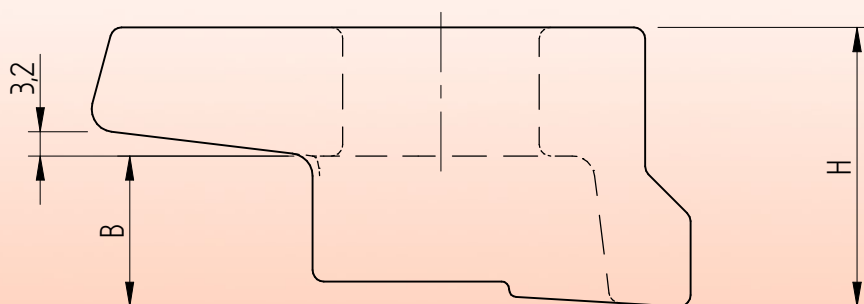
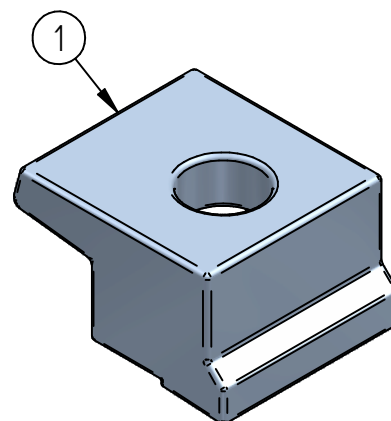
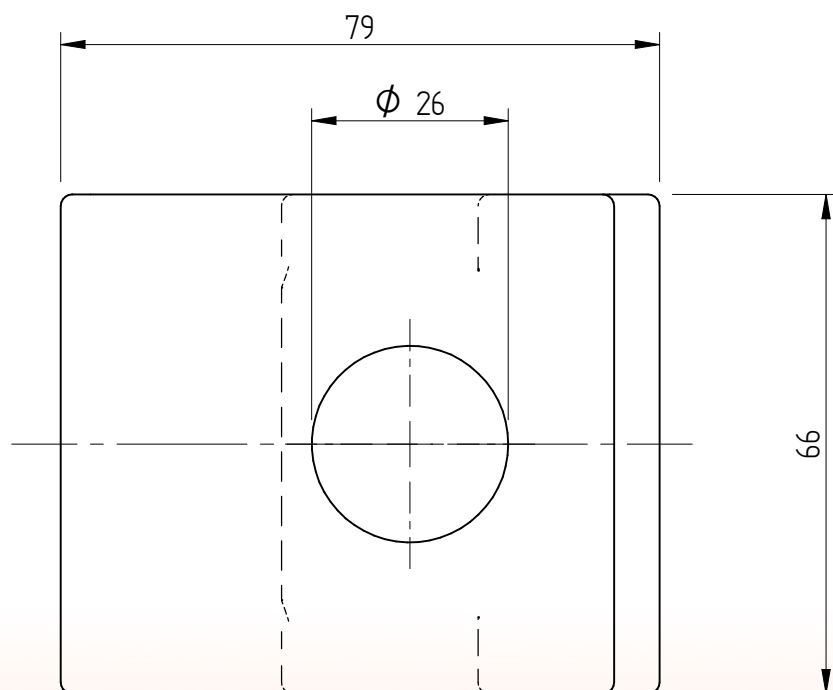


BemoRail

Debbemeerweg 59
1749 DK Warmenhuizen
The Netherlands

Tel.: +31 (0)226 425300
Email: info@bemorail.nl
www.bemorail.com

Standard rail clip FM24



Name	B	H	Mass
FM24 H31	14,0 [mm]	31,0 [mm]	0,713 [kg]
FM24 H34	17,0 [mm]	34,0 [mm]	0,743 [kg]
FM24 H37	20,0 [mm]	37,0 [mm]	0,772 [kg]
FM24 H40	23,0 [mm]	40,0 [mm]	0,799 [kg]
FM24 H43	26,0 [mm]	43,0 [mm]	0,820 [kg]
FM24 H46	29,0 [mm]	46,0 [mm]	0,852 [kg]

* Standard preservation is hot dip galvanized
Other preservation options in agreement

Item	Description	Material	Type / Dimensions	Norm	Comments
1	Railclip	S235JR*	FM24		



BemoRail

Debbemeerweg 59
1749 DK Warmenhuizen
The Netherlands

Tel.: +31 (0)226 425300
Email: info@bemorail.nl
www.bemorail.com