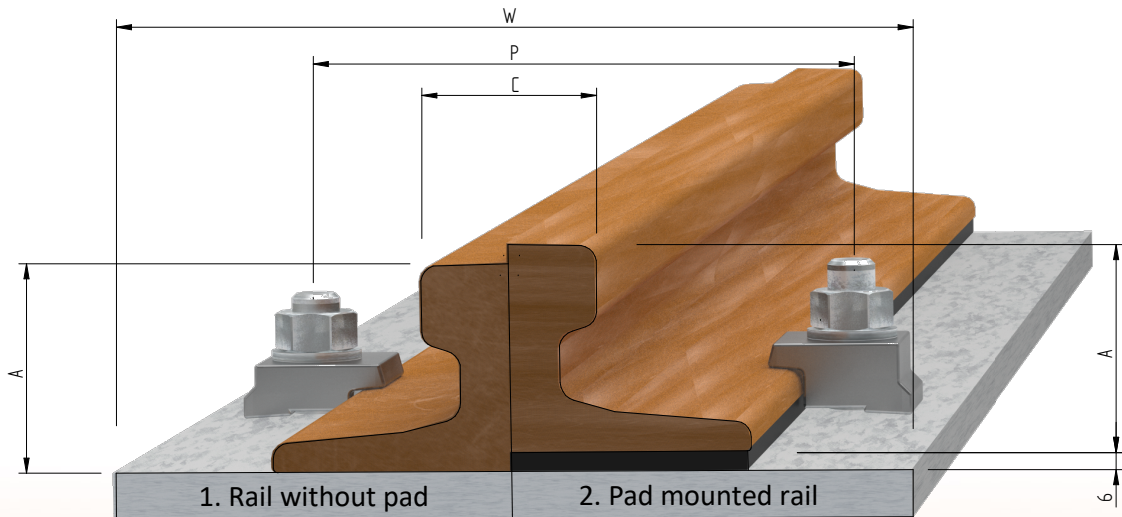


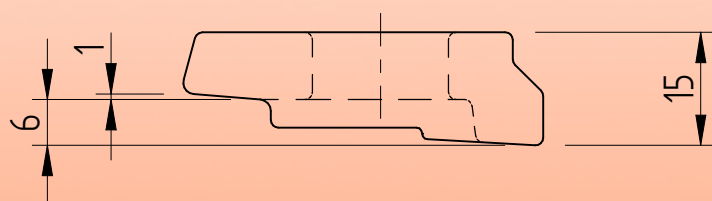
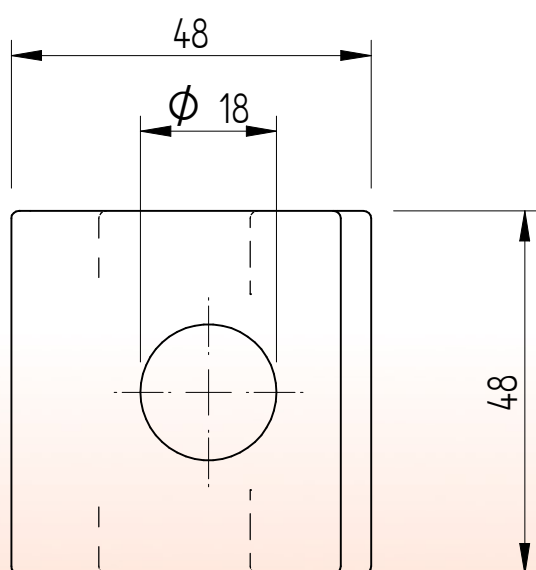
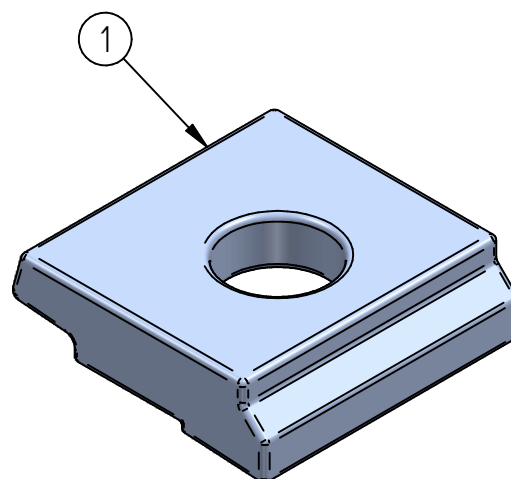
# Standard rail clip FM16



	Distance between stud M16			P	Rail base + 29	[mm]
	Minimum assembly width clips			W	Rail base + 72	[mm]
	Nominal width sole plate with anchorbolts			W	Rail base + 110	[mm]
	F [mm]	C [mm]	A [mm]	1. Rail without pad		2. Pad mounted rail
A45	125	45	55	FM16 H18		FM16 H24
A55	150	55	65	FM16 H18		FM16 H24
A65	175	65	75	FM16 H18		FM16 H24
30E1 (S30)	108	60,3	108	FM16 H18		FM16 H24
33E1 (S33)	105	58	134	FM16 H18		FM16 H24
40E1 (S41-R14)	125	67	138	FM16 H18		FM16 H24
41E1 (S41-R10)	125	67	138	FM16 H18		FM16 H24
ASCE60	108	60,3	108	FM16 H18		FM16 H24
ASCE85	131,8	65,1	131,8	FM16 H18		FM16 H24

Specification	<b>Stud bolt M16 DIN938 Grade 8.8 HDG</b>	
Maximum side load without Fv Tightening torque	38 [kN] 200 [Nm]	

# Standard rail clip FM16 H15



Item	Description	Material	Type / Dimensions	Norm	Comments
1	Railclip FM16	S235JR H.D.G.	FM16 H15		m = 0,169 [kg] FVZ.

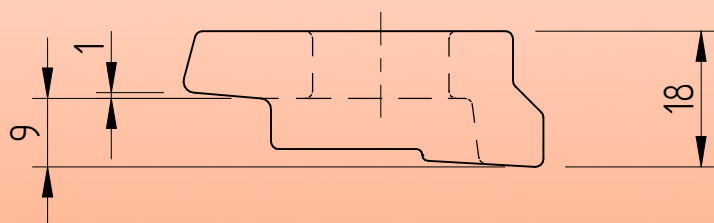
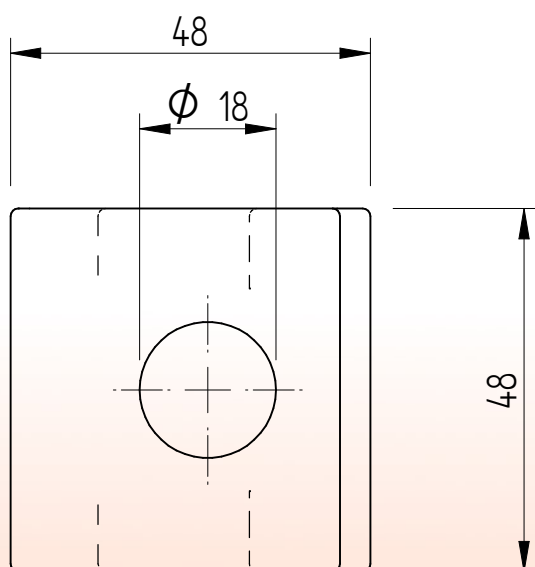
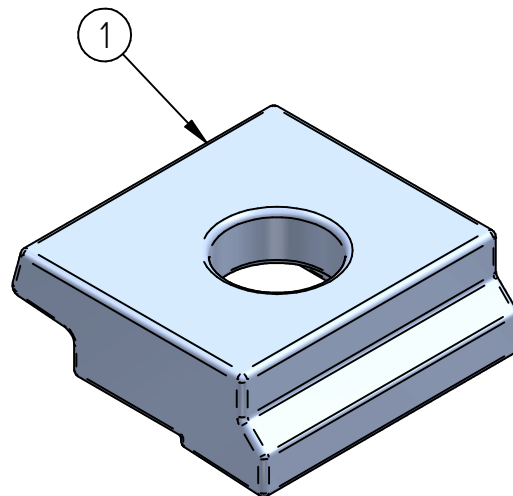


**BemoRail**

Debbemeerweg 59  
1749 DK Warmenhuizen  
The Netherlands

Tel.: +31 (0)226 425300  
Email: [info@bemorail.nl](mailto:info@bemorail.nl)  
[www.bemorail.com](http://www.bemorail.com)

# Standard rail clip FM16 H18



Item	Description	Material	Type / Dimensions	Norm	Comments
1	Railclip FM16	S235JR H.D.G.	FM16 H18		m = 0,188 [kg]

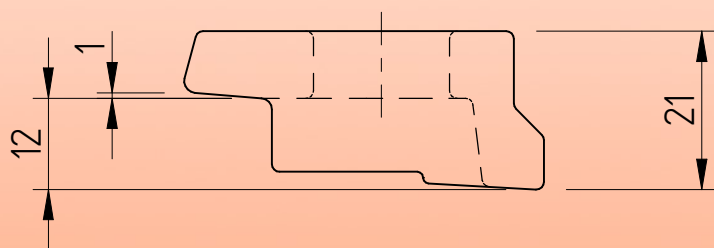
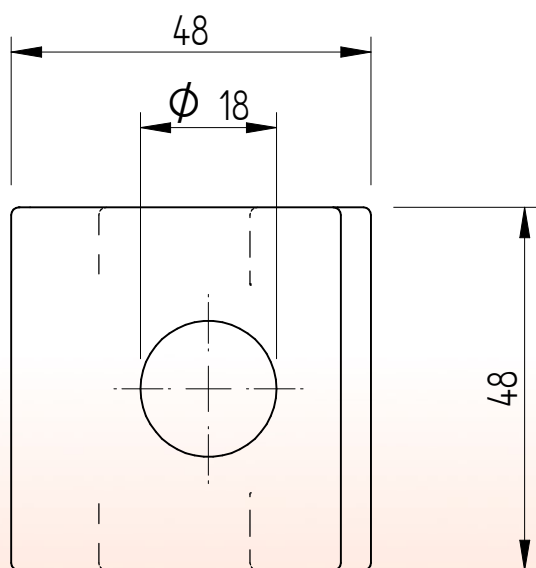
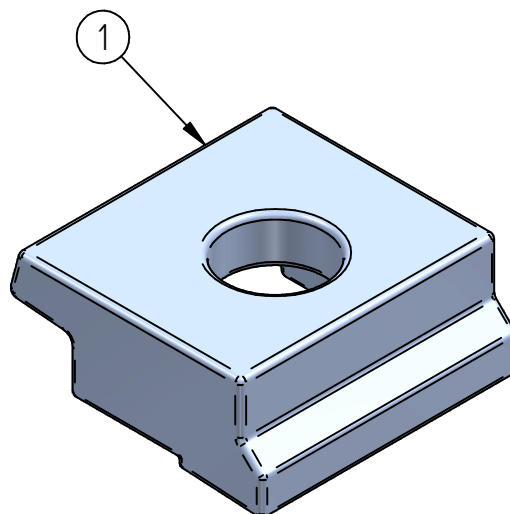


**BemoRail**

Debbemeerweg 59  
1749 DK Warmenhuizen  
The Netherlands

Tel.: +31 (0)226 425300  
Email: [info@bemorail.nl](mailto:info@bemorail.nl)  
[www.bemorail.com](http://www.bemorail.com)

# Standard rail clip FM16 H21



Item	Description	Material	Type / Dimensions	Norm	Comments
1	Railclip FM16	S235JR H.D.G.	FM16 H21		m = 0,243 [kg]

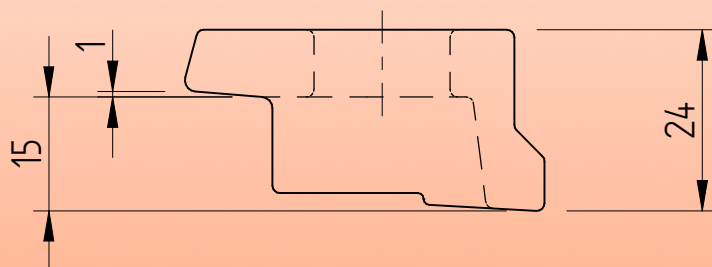
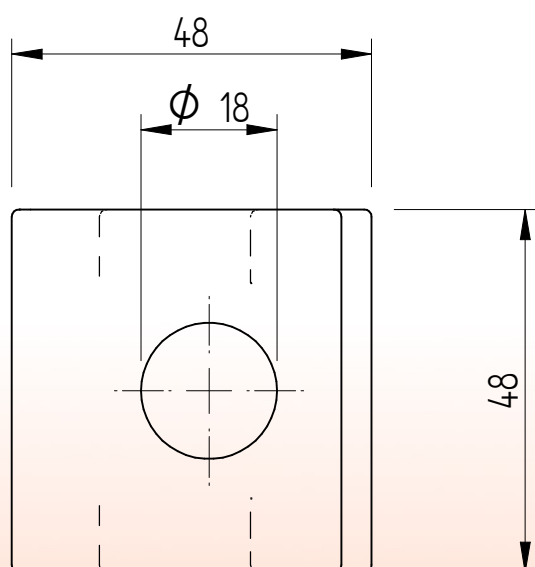
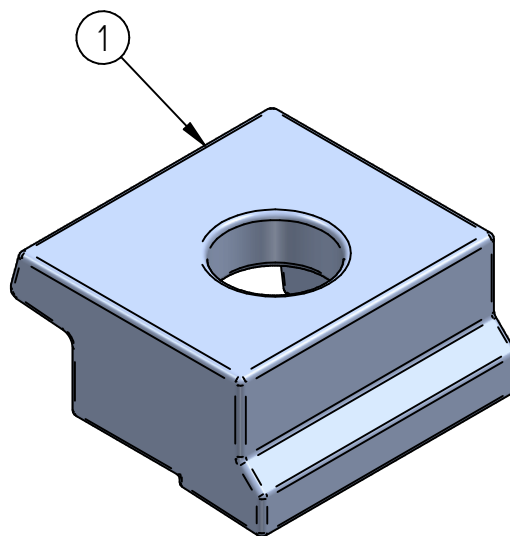


**BemoRail**

Debbemeerweg 59  
1749 DK Warmenhuizen  
The Netherlands

Tel.: +31 (0)226 425300  
Email: [info@bemorail.nl](mailto:info@bemorail.nl)  
[www.bemorail.com](http://www.bemorail.com)

# Standard rail clip FM16 H24



Item	Description	Material	Type / Dimensions	Norm	Comments
1	Railclip FM16	S235JR H.D.G.	FM16 H24		m = 0,273 [kg]

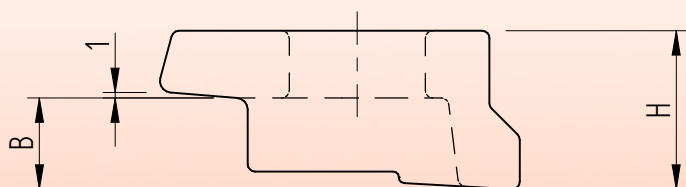
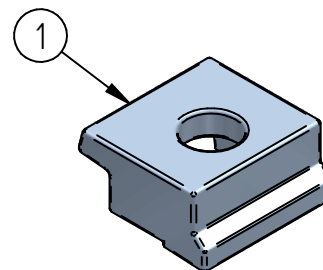
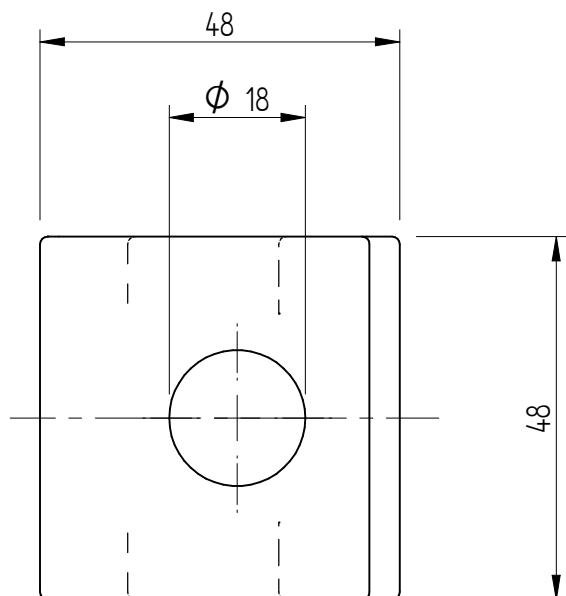


**BemoRail**

Debbemeerweg 59  
1749 DK Warmenhuizen  
The Netherlands

Tel.: +31 (0)226 425300  
Email: [info@bemorail.nl](mailto:info@bemorail.nl)  
[www.bemorail.com](http://www.bemorail.com)

# Standard rail clip FM16



Name	B	H	Mass
FM16 H15	6,0 [mm]	15,0 [mm]	0,169 [kg]
FM16 H18	9,0 [mm]	18,0 [mm]	0,188 [kg]
FM16 H21	12,0 [mm]	21,0 [mm]	0,243 [kg]
FM16 H24	15,0 [mm]	24,0 [mm]	0,273 [kg]

\* Standard preservation is hot dip galvanized  
Other preservation options in agreement

Item	Description	Material	Type / Dimensions	Norm	Comments
1	Railclip FM16	S235JR*	FM16		



**BemoRail**

Debbemeerweg 59  
1749 DK Warmenhuizen  
The Netherlands

Tel.: +31 (0)226 425300  
Email: [info@bemorail.nl](mailto:info@bemorail.nl)  
[www.bemorail.com](http://www.bemorail.com)