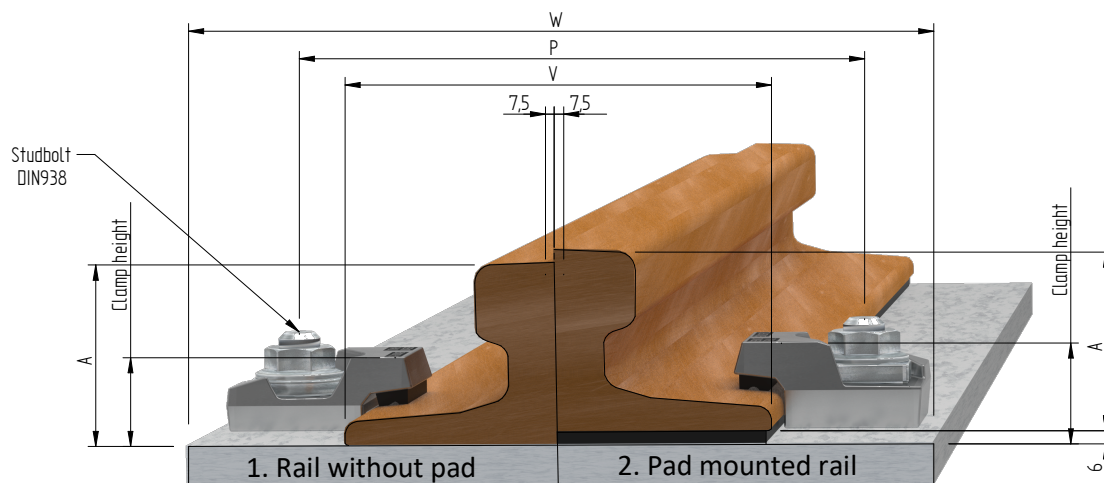
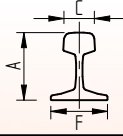



Adjustable boltable rail clip BM20R

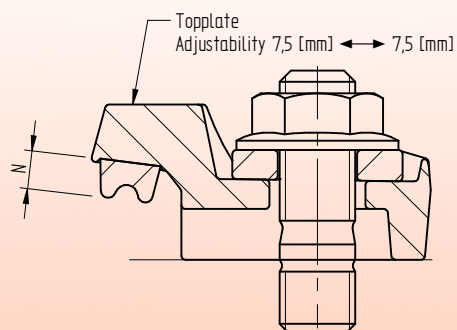
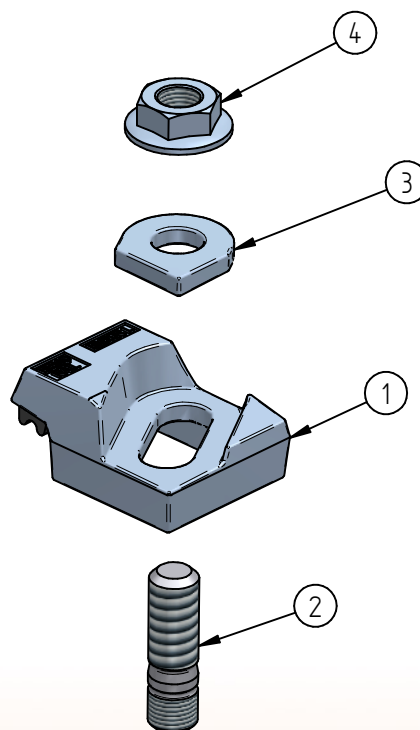
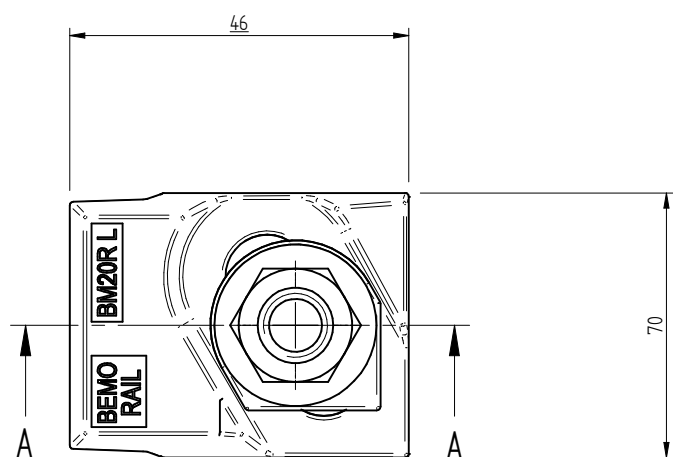


Clamp height
S = 35 [mm]
L = 41 [mm]

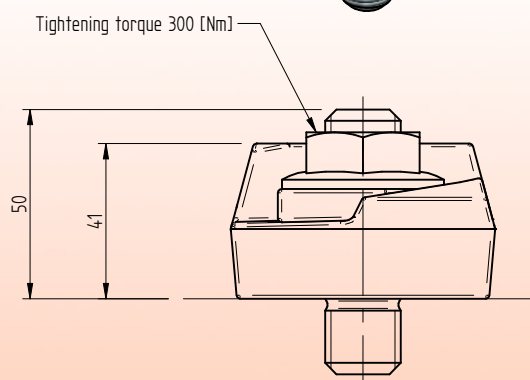
	Inside distance between baseplates			V	Rail base + 0	[mm]
	Distance between bolts M20			P	Rail base + 74	[mm]
Minimum width sole plate			W	Rail base + 147	[mm]	
	F [mm]	C [mm]	A [mm]	1. Rail without pad		2. Pad mounted rail
A65	175	65	75	BM20R S	BM20R L	
A75	200	75	85	BM20R S	BM20R L	
A100	200	100	95	BM20R S	BM20R L	
A120	220	120	105	BM20R S	BM20R L	
AS86	150	101,6	152,4	BM20R S	BM20R L	
MRS51	127	64	127	BM20R S	BM20R L	
MRS67	132	76	146	BM20R S	BM20R L	
MRS87A	152,4	101,6	152,4	BM20R S	BM20R L	
PRI85r	152,4	101,6	152,4	BM20R S	BM20R L	
ISCR70	120	70	120	BM20R S	BM20R L	
ISCR80	130	80	130	BM20R S	BM20R L	
ISCR100	150	100	150	BM20R S	BM20R L	
ISCR120	170	120	170	BM20R S	BM20R L	
QU70	120	70	120	BM20R S	BM20R L	
QU80	130	80	130	BM20R S	BM20R L	
QU100	150	100	150	BM20R S	BM20R L	
QU120	170	120	170	BM20R S	BM20R L	
49E1 (S49)	125	67	149	BM20R S	BM20R L	
S54	125	67	154	BM20R S	BM20R L	
46E3 (NP46)	120	72	142	BM20R S	BM20R L	
50E2 (EB50T)	140	67	151	BM20R S	BM20R L	
EB63	140	72	151	BM20R S	BM20R L	
54E1 (UIC54)	140	70	159	BM20R S	BM20R L	
60E1 (UIC60)	150	72	172	BM20R S	BM20R L	

Specification	Stud bolt M20 DIN938 Grade 8.8 HDG	
Maximum side load without Fv Tightening torque	75 [kN] 300 [Nm]	

Adjustable boltable rail clip BM20R L



SECTION A-A



Name	N
BM20R L N10	10,0 [mm]
BM20R L N12	12,0 [mm]
BM20R L N14	14,0 [mm]

* Standard preservation is hot dip galvanized.

Other preservation options in agreement

4	Low hexagon flange nut	Grade 8 HDG.	M20 ISO-metric	-	m = 0,082 [kg]
3	Slope washer	Grade 8 HDG.	BM20RSW		m = 0,087 [kg]
2	Stud bolt	8.8 HDG.	M20x50	DIN 938	
1	Boltable adjustable rail clamp L with rubber nose	S355*	BM20RC L		m = 0,704 [kg]
Item	Description	Material	Type / Dimensions	Norm	Comments

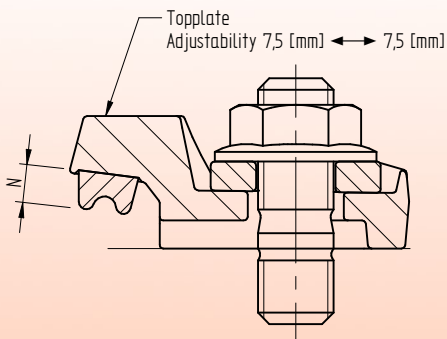
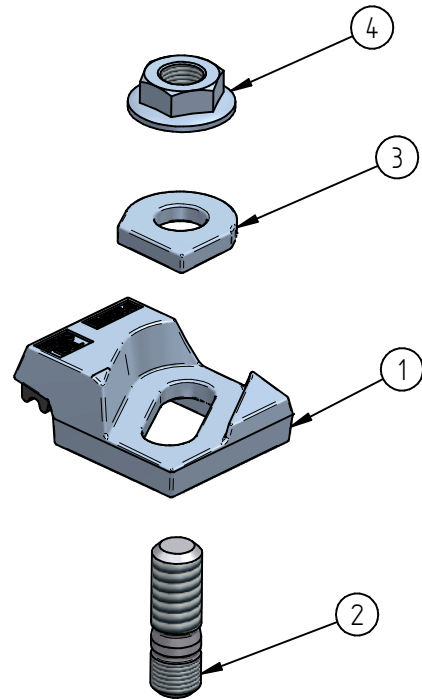
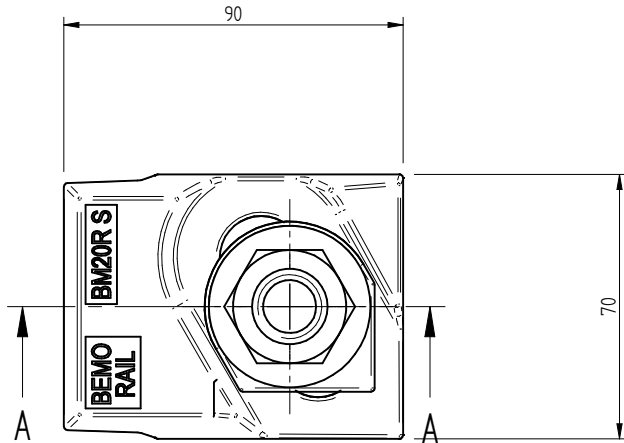


BemoRail

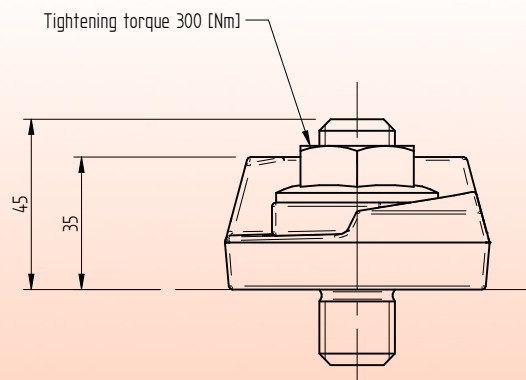
Debbemeerweg 59
1749 DK Warmenhuizen
The Netherlands

Tel.: +31 (0)226 425300
Email: info@bemorail.nl
www.bemorail.com

Adjustable boltable rail clip BM20R S



SECTION A-A



Name	N
BM20R S N10	10,0 [mm]
BM20R S N12	12,0 [mm]
BM20R S N14	14,0 [mm]

* Standard preservation is hot dip galvanized.

Other preservation options in agreement

4	Low hexagon flange nut	Grade 8 HDG.	M20 ISO-metric	-	m = 0,082 [kg]
3	Slope washer	Grade 8 HDG.	BM20RSW		m = 0,087 [kg]
2	Stud bolt	8.8 HDG.	M20x45	DIN 938	
1	Boltable adjustable rail clamp S with rubber nose	S355*	BM20RC S		m = 0,629 [kg]
Item	Description	Material	Type / Dimensions	Norm	Comments