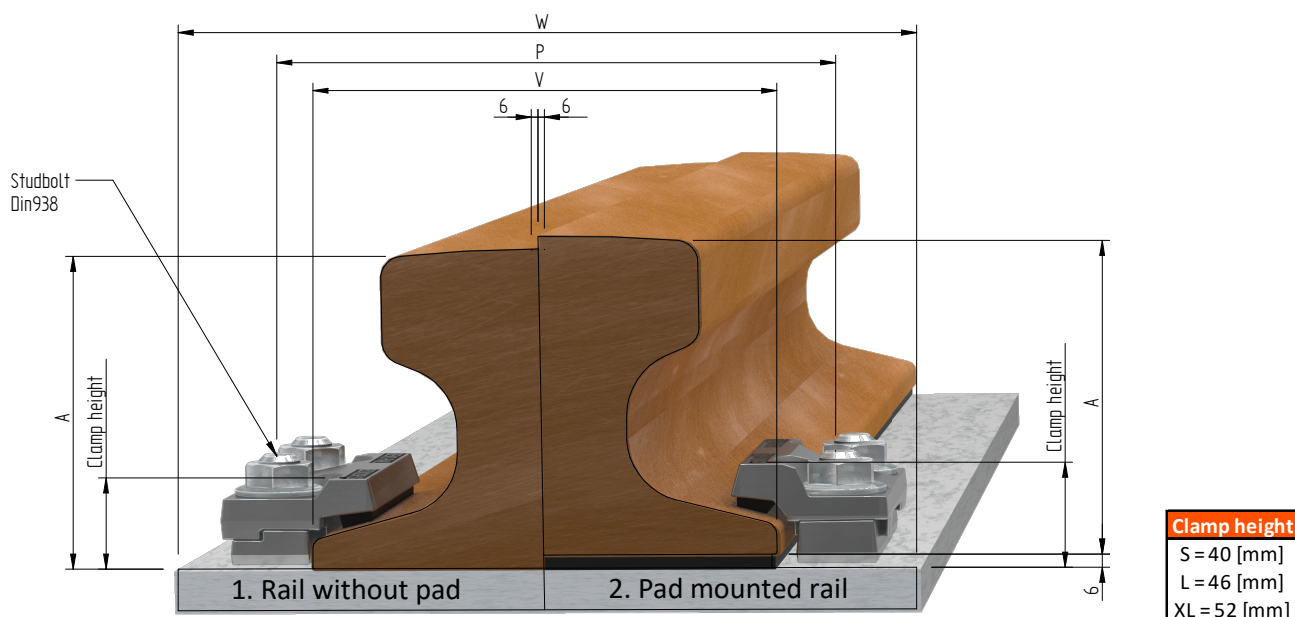


# Adjustable boltable double rail clip BDM20R

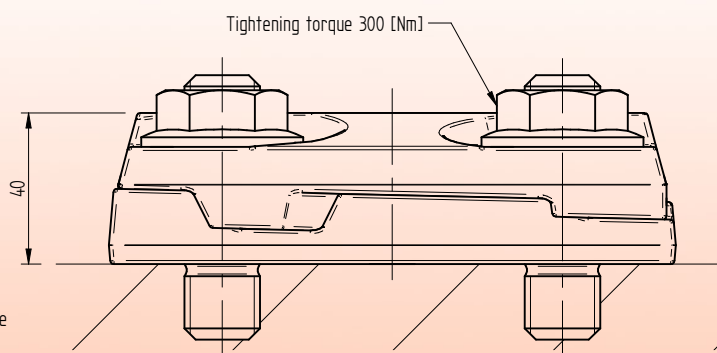
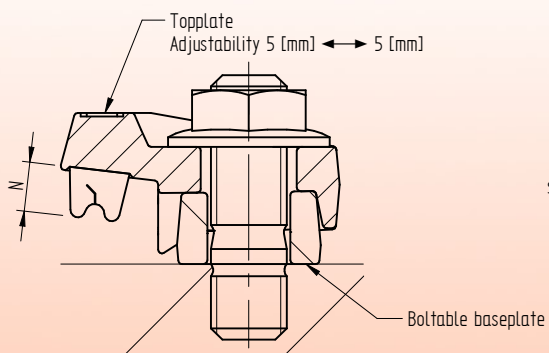
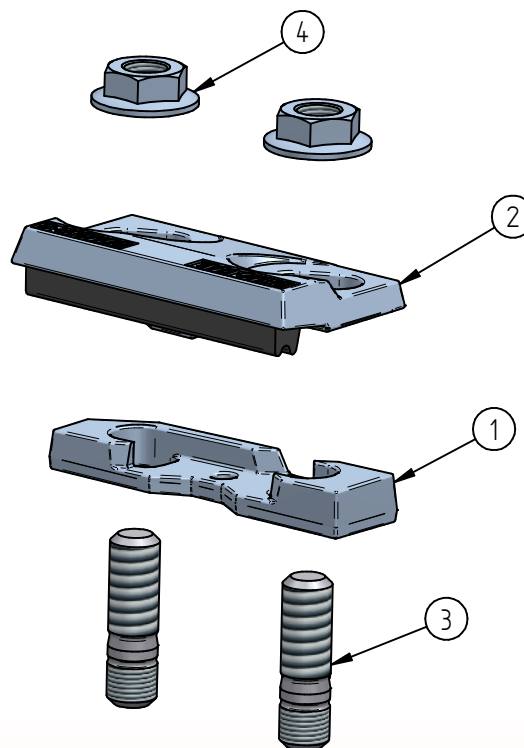
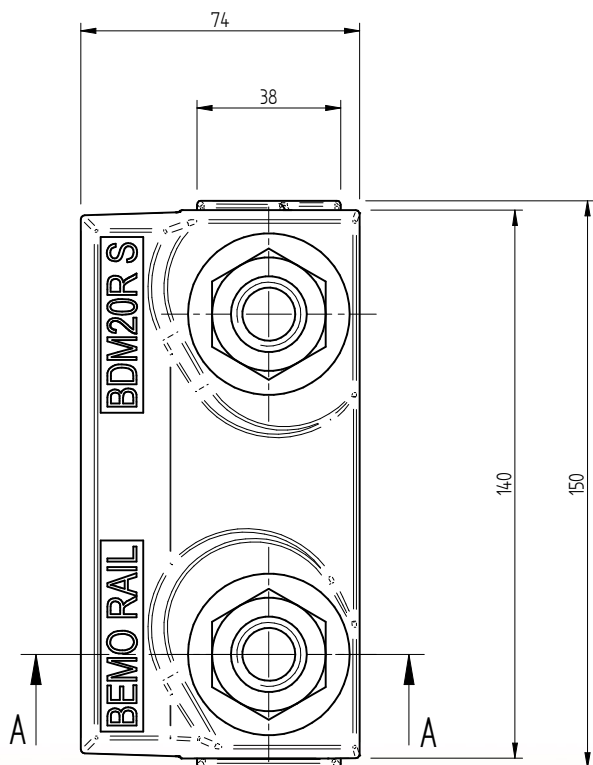


	Inside distance between baseplates			V	Rail base + 12	[mm]
	Distance between bolts M20			P	Rail base + 48	[mm]
	Minimum width sole plate			W	Rail base + 100	[mm]
	F [mm]	C [mm]	A [mm]	1. Rail without pad		2. Pad mounted rail
A75	200	75	85	BDM20R S	BDM20R L	
A100	200	100	95	BDM20R S	BDM20R L	
A120	220	120	105	BDM20R S	BDM20R L	
A150	220	150	150	BDM20R S	BDM20R L	
AS86	150	101,6	152,4	BDM20R L	BDM20R XL	
MRS51	127	64	127	BDM20R S	BDM20R L	
MRS67	132	76	146	BDM20R S	BDM20R L	
MRS87A	152,4	101,6	152,4	BDM20R L	BDM20R XL	
PRI85r	152,4	101,6	152,4	BDM20R L	BDM20R XL	
MRS125	180	120	180	BDM20R L	BDM20R XL	
BSC101	165	100	150	BDM20R L	BDM20R XL	
ISCR70	120	70	120	BDM20R S	BDM20R L	
ISCR80	130	80	130	BDM20R S	BDM20R L	
ISCR100	150	100	150	BDM20R S	BDM20R L	
ISCR120	170	120	170	BDM20R S	BDM20R L	
ISCR140	170	140	170	BDM20R L	BDM20R XL	
QU70	120	70	120	BDM20R S	BDM20R L	
QU80	130	80	130	BDM20R S	BDM20R L	
QU100	150	100	150	BDM20R S	BDM20R L	
QU120	170	120	170	BDM20R S	BDM20R L	
49E1 (S49)	125	67	149	BDM20R S	BDM20R L	
S54	125	67	154	BDM20R S	BDM20R L	
46E3 (NP46)	120	72	142	BDM20R S	BDM20R L	
50E2 (EB50T)	140	67	151	BDM20R S	BDM20R L	
EB63	140	72	151	BDM20R S	BDM20R L	
54E1 (UIC54)	140	70	159	BDM20R S	BDM20R L	
60E1 (UIC60)	150	72	172	BDM20R S	BDM20R L	

Specification	<b>Stud bolt M20 DIN938</b> <b>Grade 8.8 HDG</b>	
Maximum side load without Fv	150 [kN]	
Tightening torque	300 [Nm]	

# Adjustable boltable double rail clip

## BDM20R S



SECTION A-A

Name	N
BDM20R S N10	10,0 [mm]
BDM20R S N12	12,0 [mm]
BDM20R S N14	14,0 [mm]

\* Standard preservation is hot dip galvanized.  
Other preservation options in agreement

4	Low hexagon flange nut	Grade 8 HDG.	M20 ISO-metric	-	m = 0,059 [kg]
3	Stud	5.8 HDG.	M20x50	DIN 938	
2	Boltable adjustable rail clamp cover	S355J2	BDM20RC		m = 1,179 [kg]
1	Boltable adjustable rail clamp base	S355J2 self coloured	BDM20RB		m = 0,445 [kg]
Item	Description	Material	Type / Dimensions	Norm	Comments

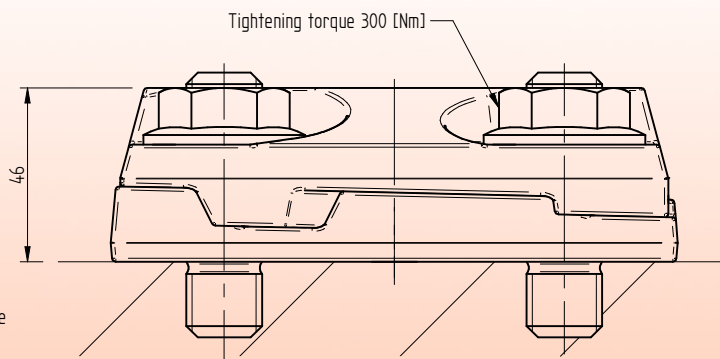
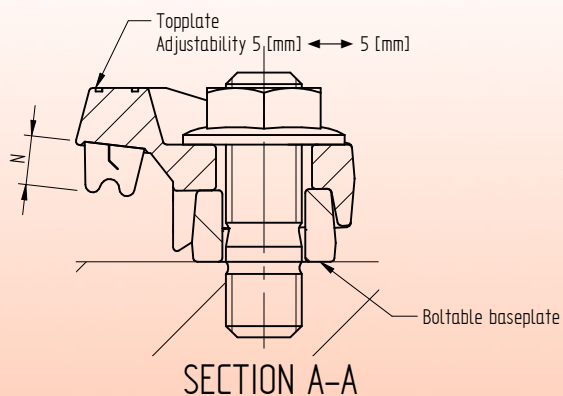
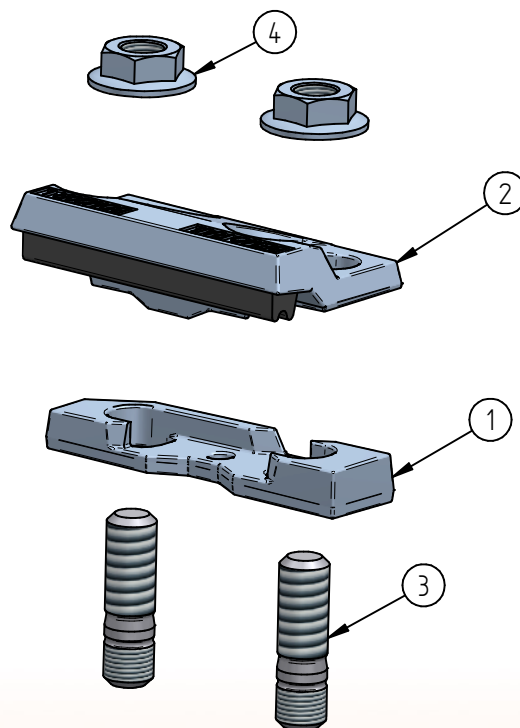
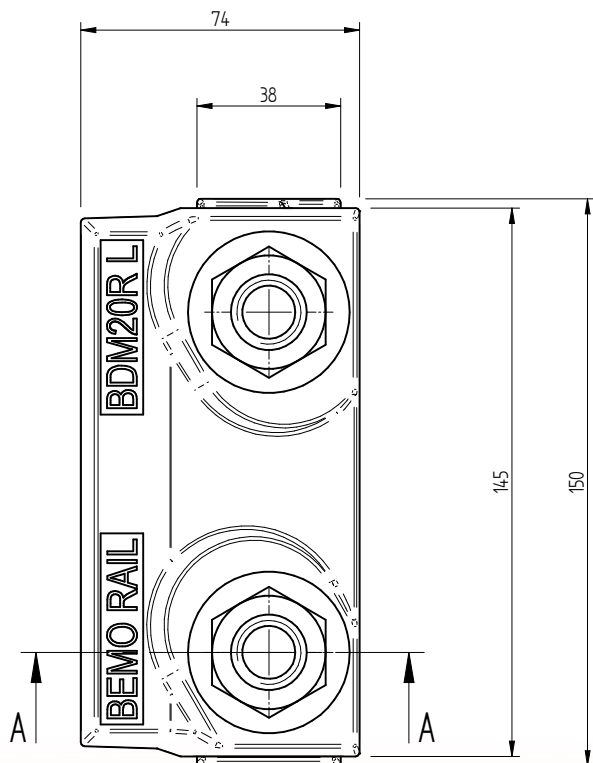


**BemoRail**

Debbemeerweg 59  
1749 DK Warmenhuizen  
The Netherlands

Tel.: +31 (0)226 425300  
Email: info@bemorail.nl  
www.bemorail.com

# Adjustable boltable double rail clip BDM20R L



\* Standard preservation is hot dip galvanized.  
Other preservation options in agreement

Name	N
BDM20R L N10	10,0 [mm]
BDM20R L N12	12,0 [mm]
BDM20R L N14	14,0 [mm]

4	Low hexagon flange nut	Grade 8 HDG.	M20 ISO-metric	-	m = 0,059 [kg]
3	Stud	5.8 HDG.	M20x50	DIN 938	
2	Boltable adjustable rail clamp cover	S355J2	BDM20RC		m = 1,224 [kg]
1	Boltable adjustable rail clamp base	S355J2 self coloured	BDM20RB		m = 0,445 [kg]
Item	Description	Material	Type / Dimensions	Norm	Comments

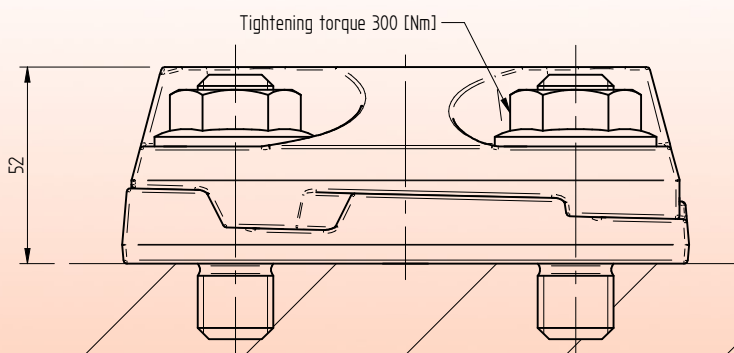
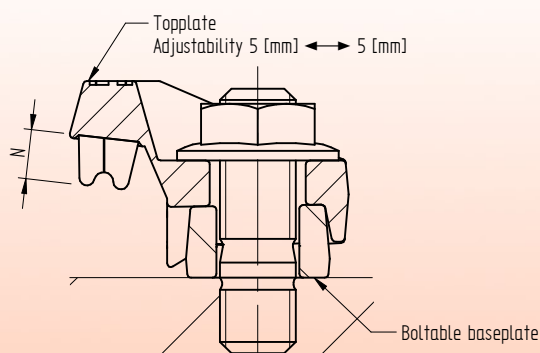
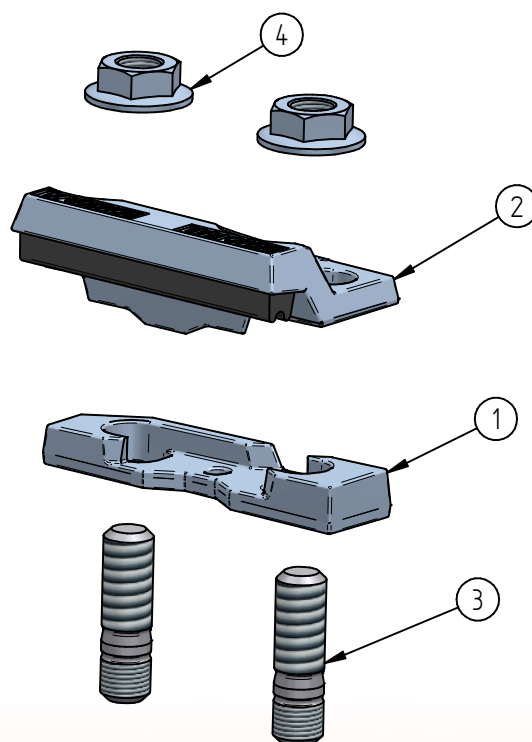
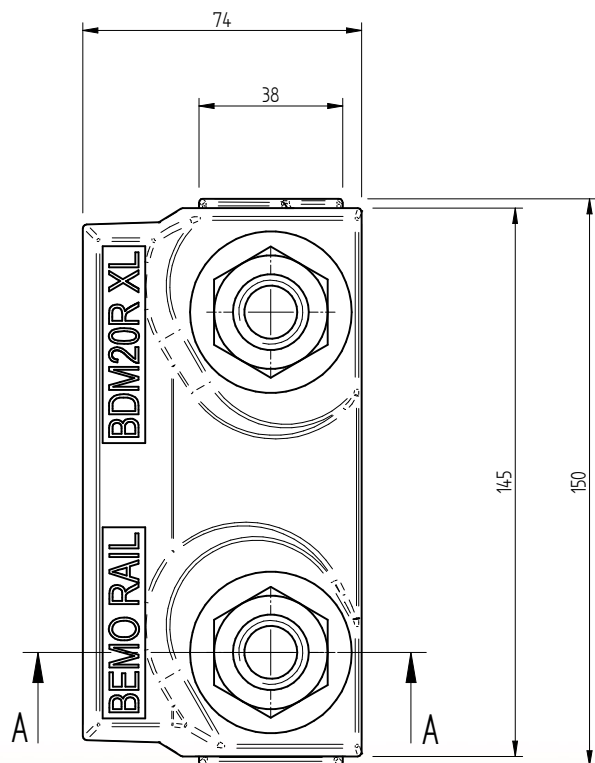


**BemoRail**

Debbemeerweg 59  
1749 DK Warmenhuizen  
The Netherlands

Tel.: +31 (0)226 425300  
Email: info@bemorail.nl  
www.bemorail.com

# Adjustable boltable double rail clip BDM20R XL



SECTION A-A

\* Standard preservation is hot dip galvanized.  
Other preservation options in agreement

Name	N
BDM20R XL N10	10,0 [mm]
BDM20R XL N12	12,0 [mm]
BDM20R XL N14	14,0 [mm]

4	Low hexagon flange nut	Grade 8 HDG.	M20 ISO-metric	-	m = 0,059 [kg]
3	Stud	5.8 HDG.	M20x50	DIN 938	
2	Boltable adjustable rail clamp cover	S355J2	BDM20RC		m = 1,249 [kg]
1	Boltable adjustable rail clamp base	S355J2 self coloured	BDM20RB		m = 0,445 [kg]
Item	Description	Material	Type / Dimensions	Norm	Comments



**BemoRail**

Debbemeerweg 59  
1749 DK Warmenhuizen  
The Netherlands

Tel.: +31 (0)226 425300  
Email: info@bemorail.nl  
www.bemorail.com