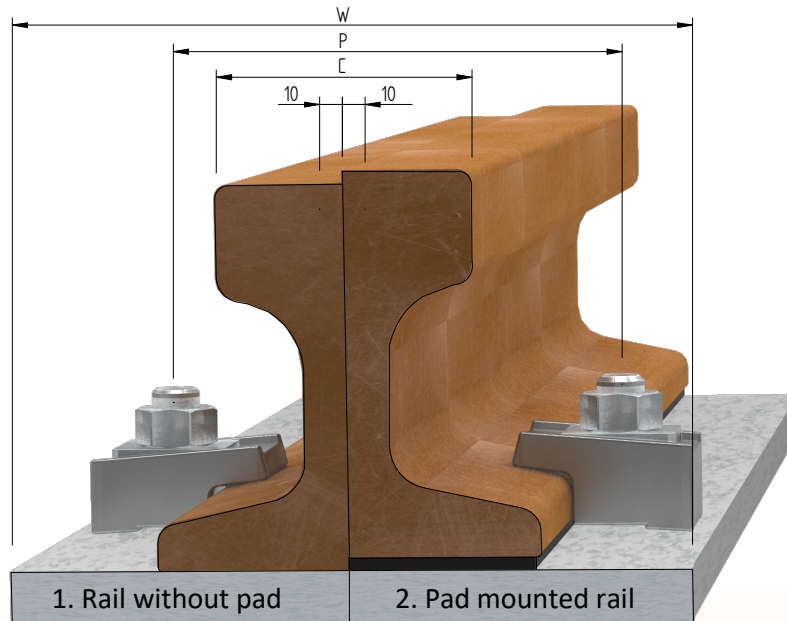


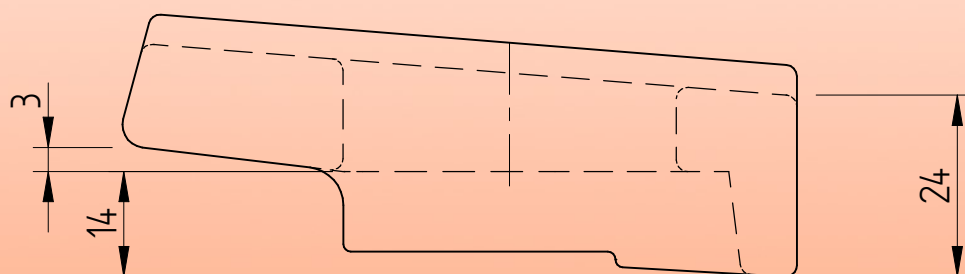
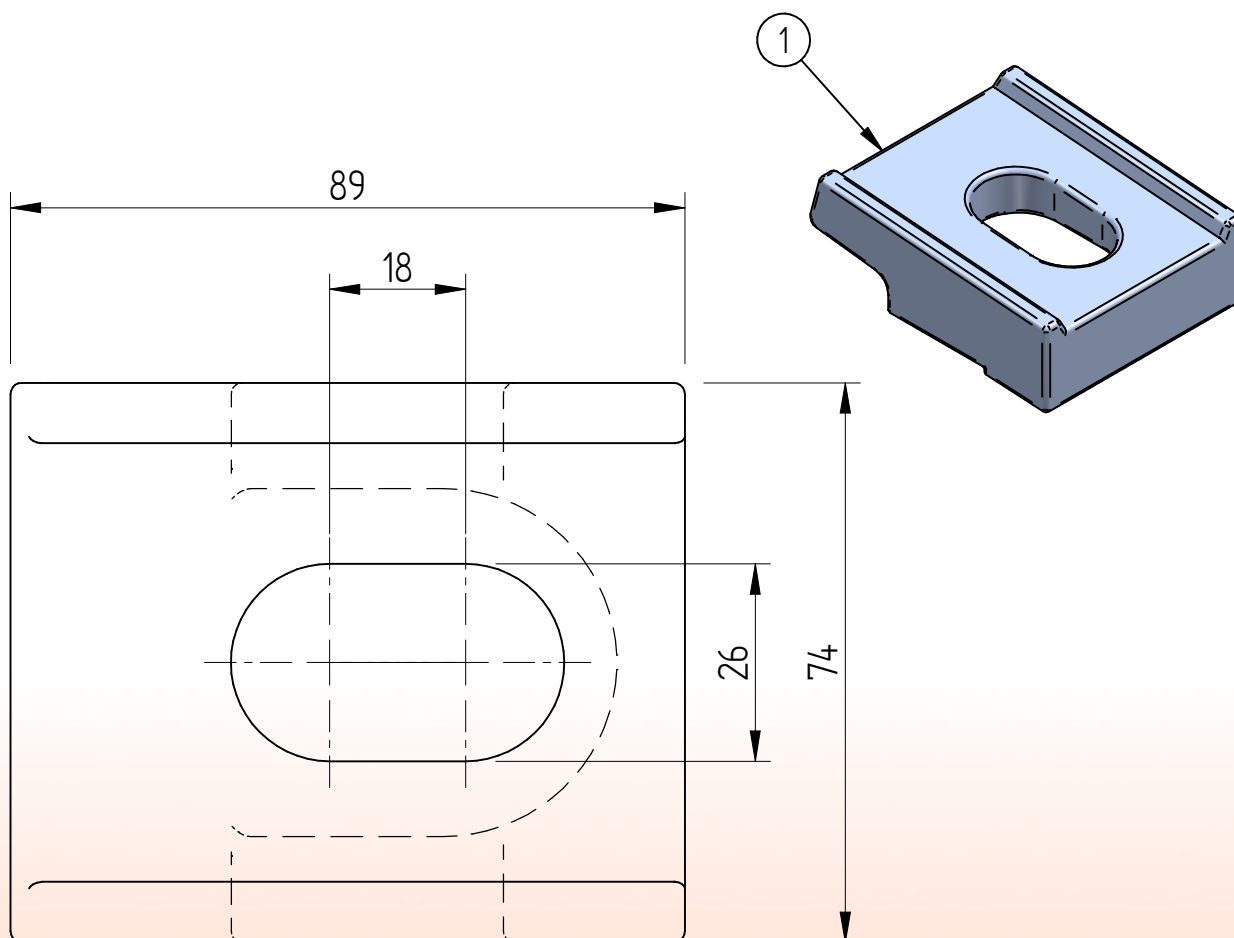
# Standard rail clip AM24



	Distance between stud M24			P	Rail base +44	[mm]
	Minimum assembly width clips			W	Rail base +140	[mm]
	Nominal width sole plate with anchorbolts			W	Rail base +140	[mm]
	F [mm]	C [mm]	A [mm]	1. Rail without pad		2. Pad mounted rail
A120	220	120	105	AM24 H24		AM24 H30
A150	220	150	150	AM24 H27		AM24 H33
AS86	150	101,6	152,4	AM24 H27		AM24 H33
PRI85r	152,4	101,6	152,4	AM24 H27		AM24 H33
MRS87A	152,4	101,6	152,4	AM24 H27		AM24 H33
MRS125	180	120	180	AM24 H33		AM24 H39
BSC101	165	100	155	AM24 H27		AM24 H33
CR 73	140	100	135	AM24 H27		AM24 H33
ISCR100	150	100	150	AM24 H24		AM24 H30
ISCR120	170	120	170	AM24 H27		AM24 H33
ISCR140	170	140	170	AM24 H33		AM24 H39
QU100	150	100	150	AM24 H24		AM24 H30
QU120	170	120	170	AM24 H27		AM24 H33

Specification	<b>Stud bolt M24 DIN938 Grade 8.8 HDG</b>	
Maximum side load without Fv Tightening torque	125 [kN] 450 [Nm]	

# Standard rail clip AM24 H24



Item	Description	Material	Type / Dimensions	Norm	Comments
1	Adjustable railclip	S235JR H.D.G.	AM24 H24		m = 0,808 [kg]

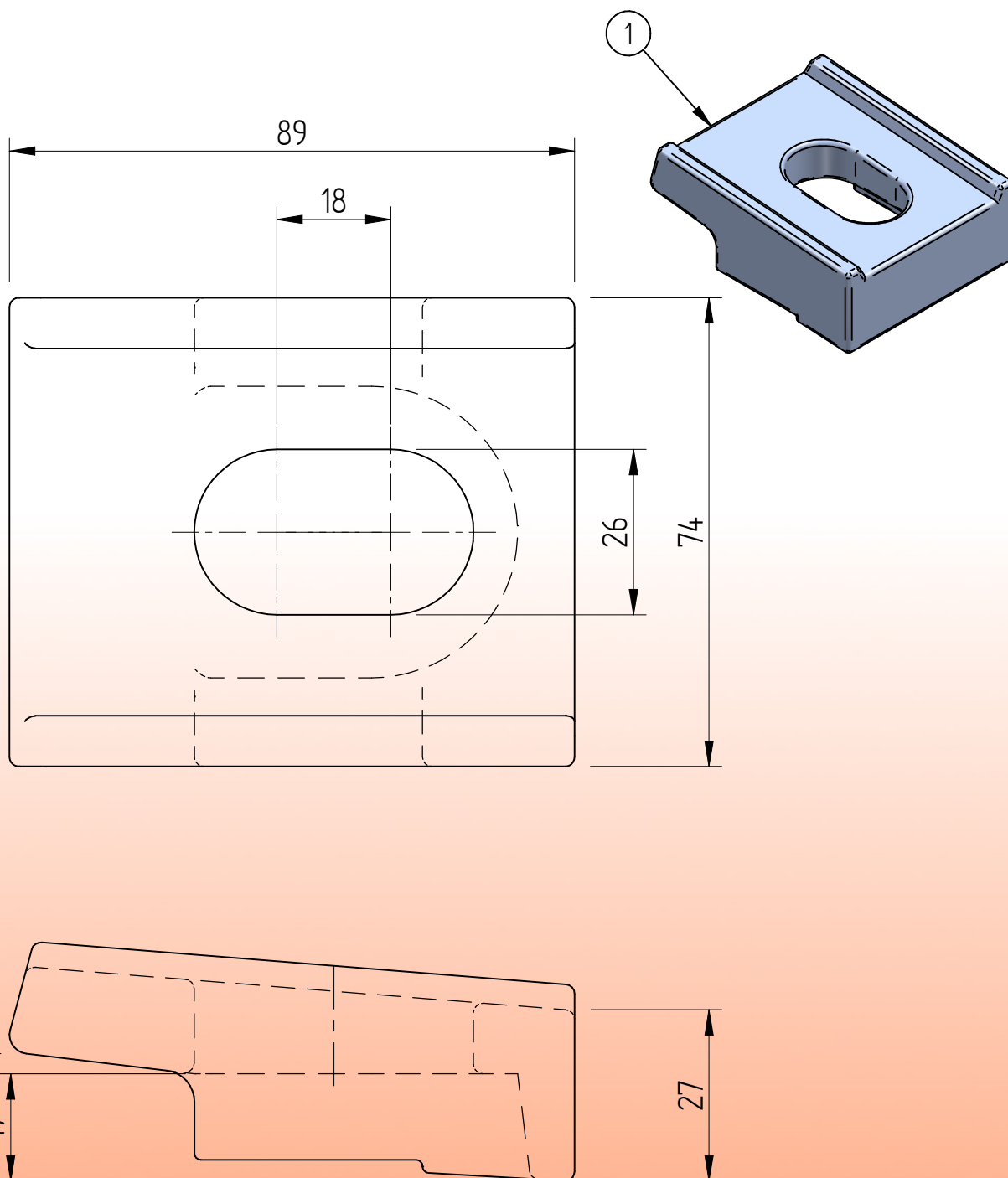


**BemoRail**

Debbemeerweg 59  
1749 DK Warmenhuizen  
The Netherlands

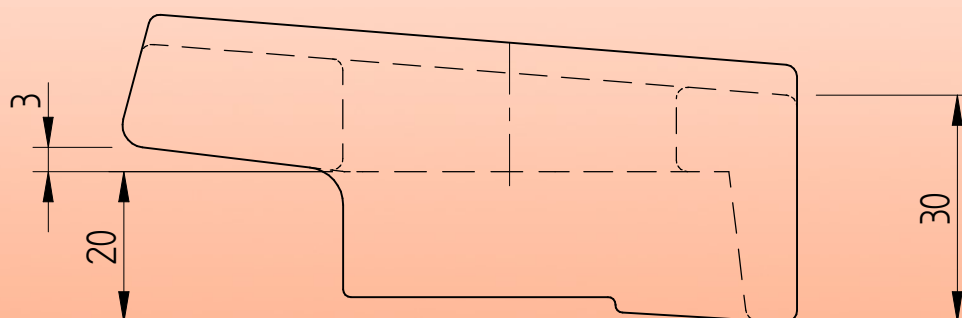
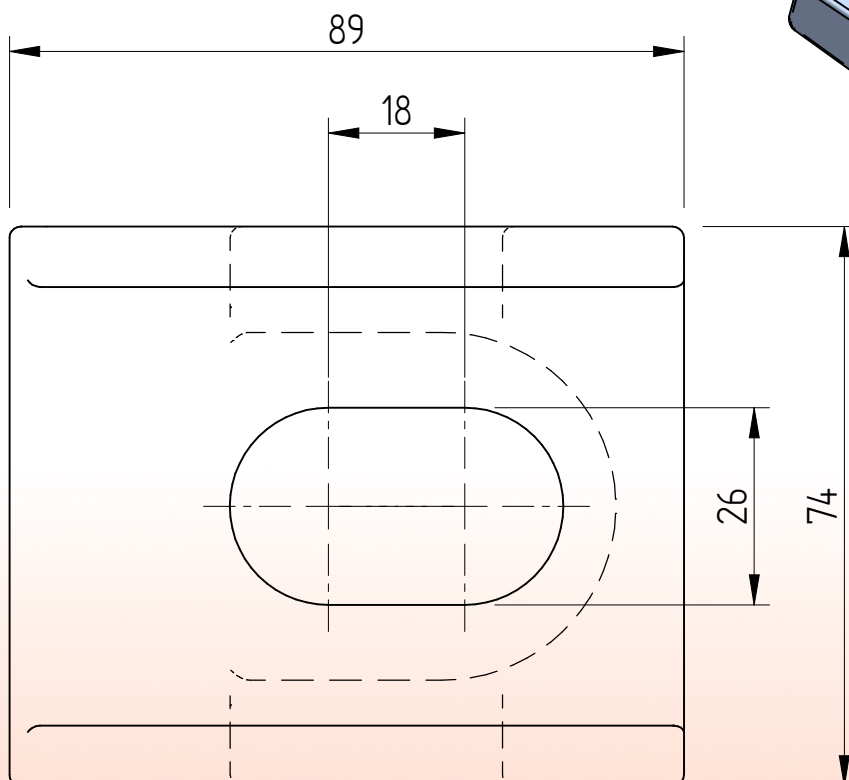
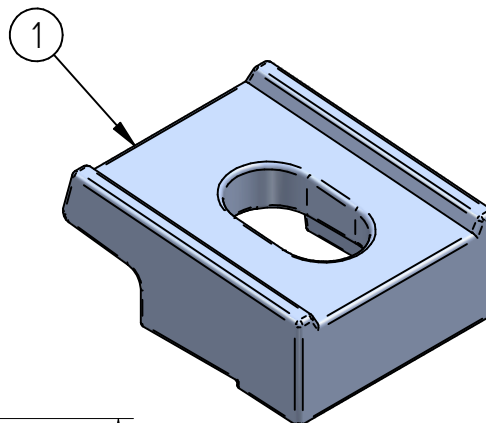
Tel.: +31 (0)226 425300  
Email: [info@bemorail.nl](mailto:info@bemorail.nl)  
[www.bemorail.com](http://www.bemorail.com)

# Standard rail clip AM24 H27



Item	Description	Material	Type / Dimensions	Norm	Comments
1	Adjustable railclip	S235JR H.D.G.	AM24 H27		m = 0,857 [kg]

# Standard rail clip AM24 H30



Item	Description	Material	Type / Dimensions	Norm	Comments
1	Adjustable railclip	S235JR H.D.G.	AM24 H30		m = 0,906 [kg]

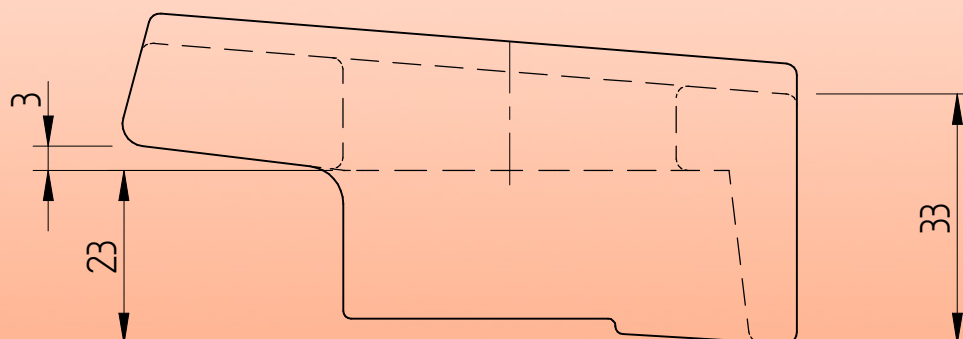
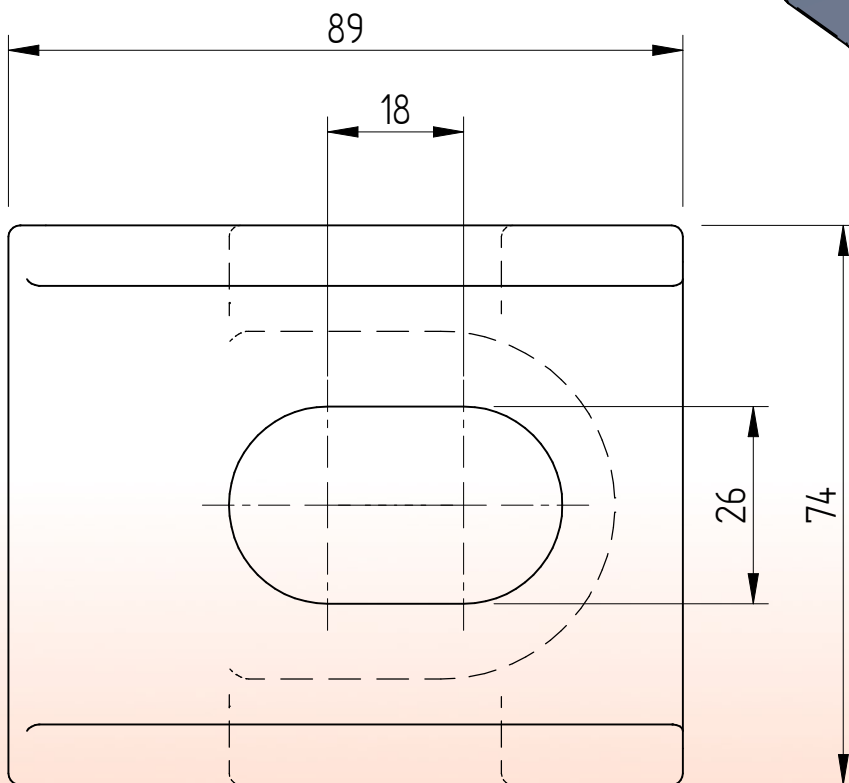
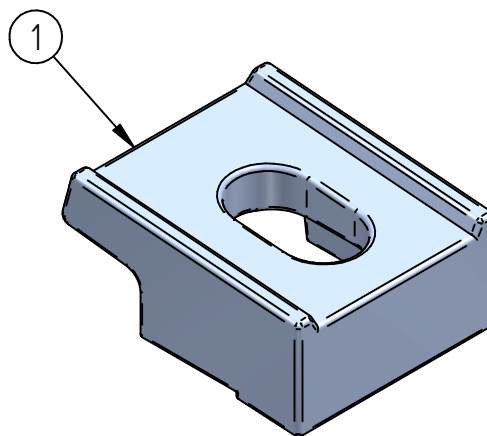


**BemoRail**

Debbemeerweg 59  
1749 DK Warmenhuizen  
The Netherlands

Tel.: +31 (0)226 425300  
Email: [info@bemorail.nl](mailto:info@bemorail.nl)  
[www.bemorail.com](http://www.bemorail.com)

# Standard rail clip AM24 H33



Item	Description	Material	Type / Dimensions	Norm	Comments
1	Adjustable railclip	S235JR H.D.G.	AM24 H33		m = 0,953 [kg]

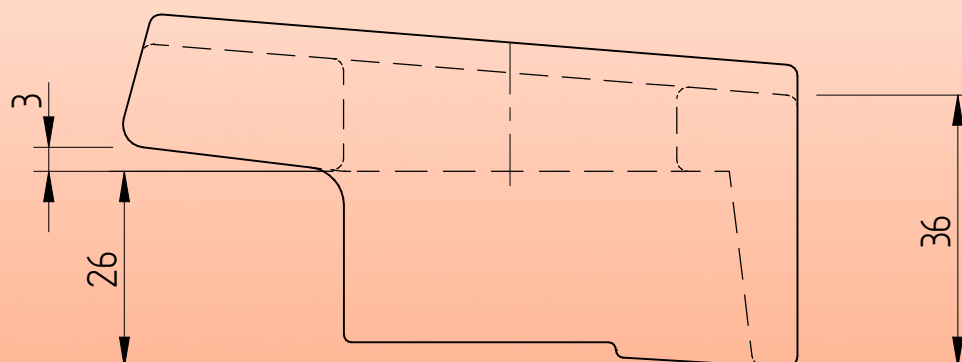
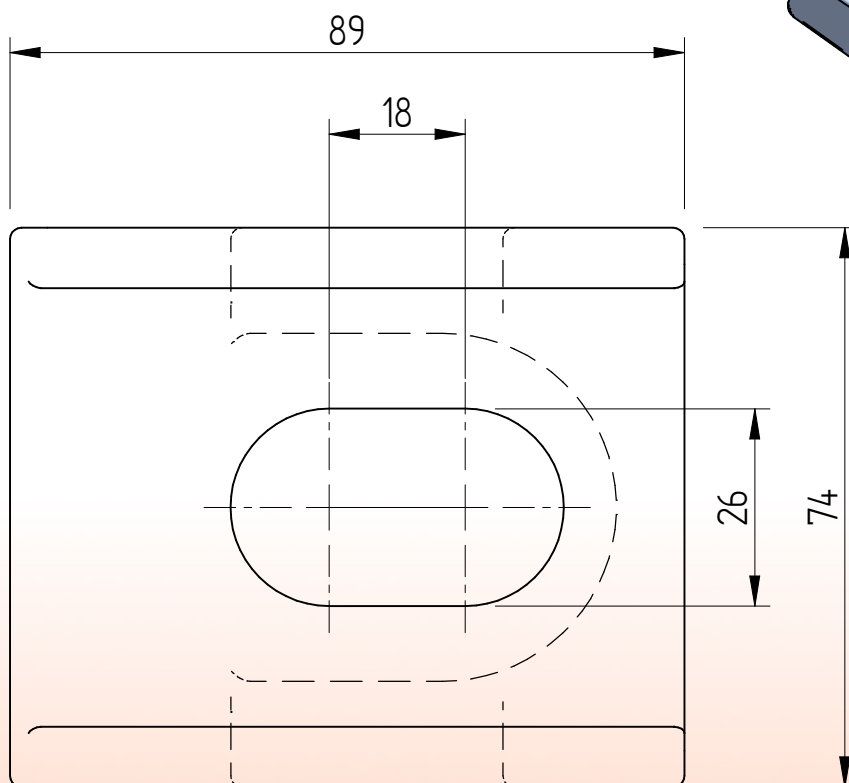
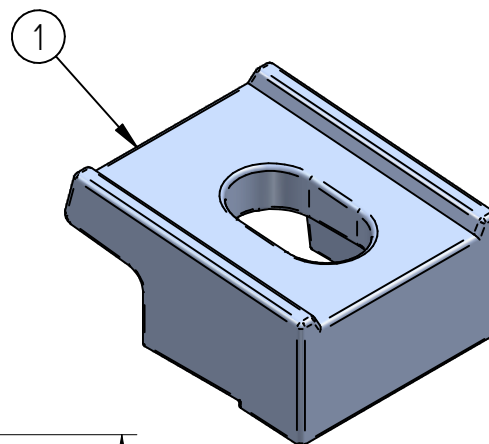


**BemoRail**

Debbemeerweg 59  
1749 DK Warmenhuizen  
The Netherlands

Tel.: +31 (0)226 425300  
Email: [info@bemorail.nl](mailto:info@bemorail.nl)  
[www.bemorail.com](http://www.bemorail.com)

# Standard rail clip AM24 H36



Item	Description	Material	Type / Dimensions	Norm	Comments
1	Adjustable railclip	S235JR H.D.G.	AM24 H36		m = 0,999 [kg]

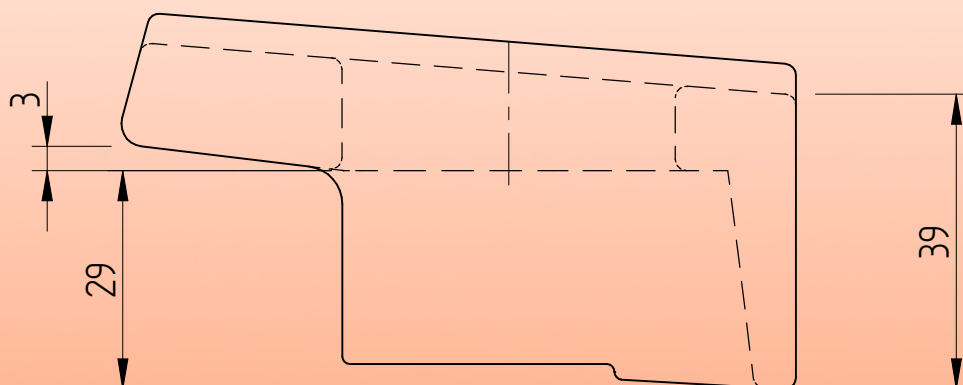
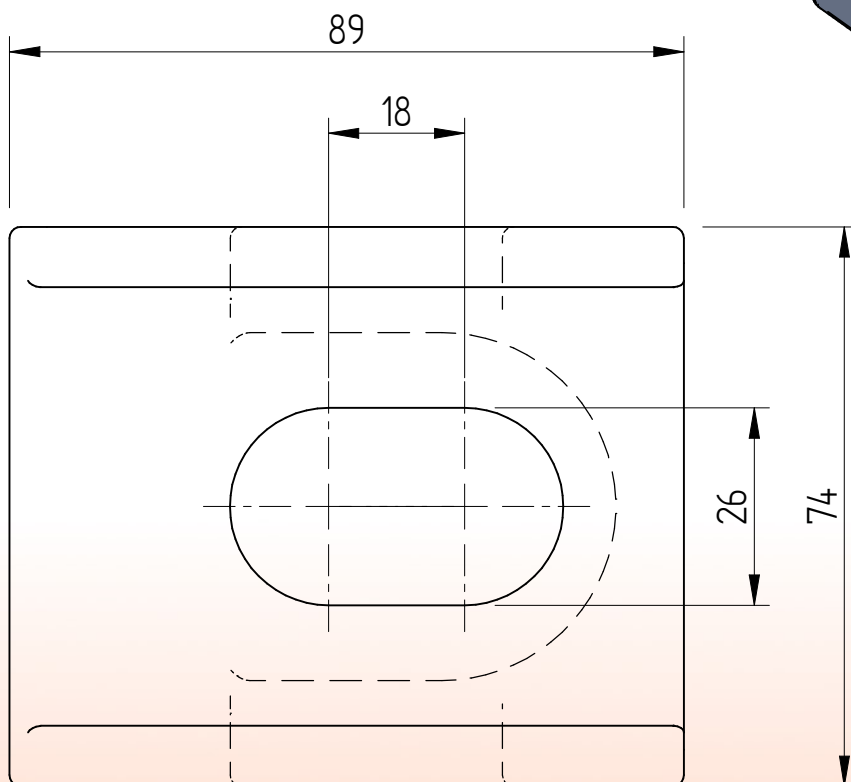
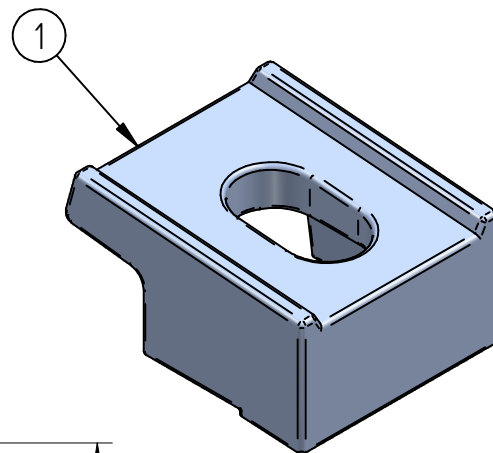


**BemoRail**

Debbemeerweg 59  
1749 DK Warmenhuizen  
The Netherlands

Tel.: +31 (0)226 425300  
Email: [info@bemorail.nl](mailto:info@bemorail.nl)  
[www.bemorail.com](http://www.bemorail.com)

# Standard rail clip AM24 H39



Item	Description	Material	Type / Dimensions	Norm	Comments
1	Adjustable railclip	S235JR H.D.G.	AM24 H39		m = 1,044 [kg]

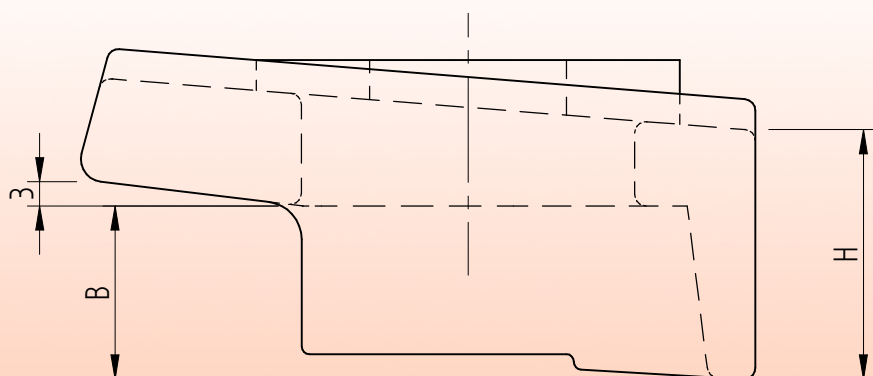
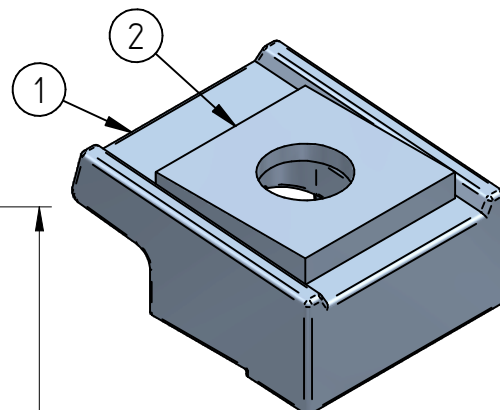
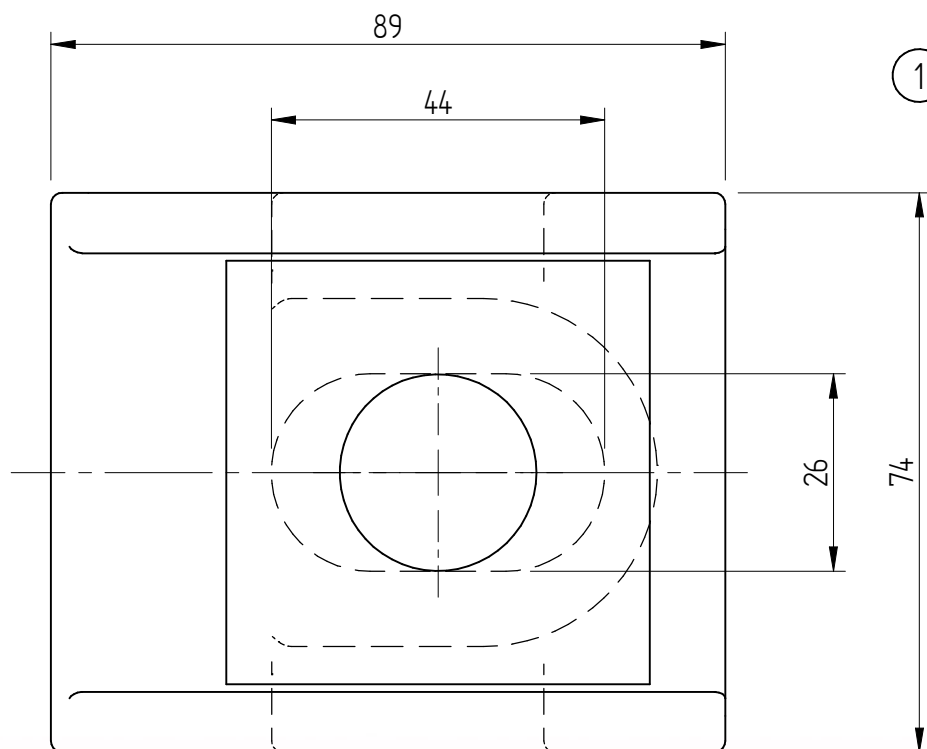


**BemoRail**

Debbemeerweg 59  
1749 DK Warmenhuizen  
The Netherlands

Tel.: +31 (0)226 425300  
Email: info@bemorail.nl  
www.bemorail.com

# Standard rail clip AM24



Name	B	H	Mass
AM24 H24	14,0 [mm]	24,0 [mm]	0,808 [kg]
AM24 H27	17,0 [mm]	27,0 [mm]	0,857 [kg]
AM24 H30	20,0 [mm]	30,0 [mm]	0,906 [kg]
AM24 H33	23,0 [mm]	33,0 [mm]	0,953 [kg]
AM24 H36	26,0 [mm]	36,0 [mm]	0,999 [kg]
AM24 H39	29,0 [mm]	39,0 [mm]	1,044 [kg]

\* Standard preservation is hot dip galvanized  
Other preservation options in agreement

2	Square taper washer	St. HDG.	M24	DIN 434	8%
1	Adjustable railclip	S235JR *	AM24		-
Item	Description	Material	Type / Dimensions	Norm	Comments



**BemoRail**

Debbemeerweg 59  
1749 DK Warmenhuizen  
The Netherlands

Tel.: +31 (0)226 425300  
Email: info@bemorail.nl  
www.bemorail.com