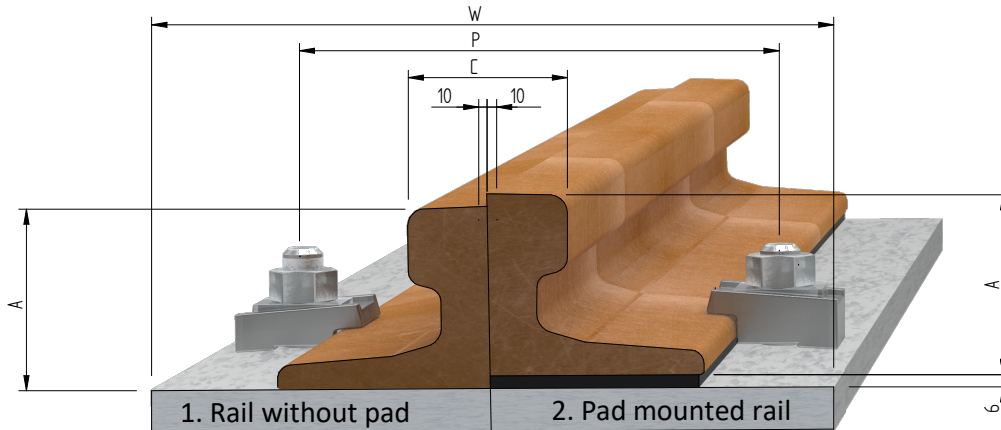


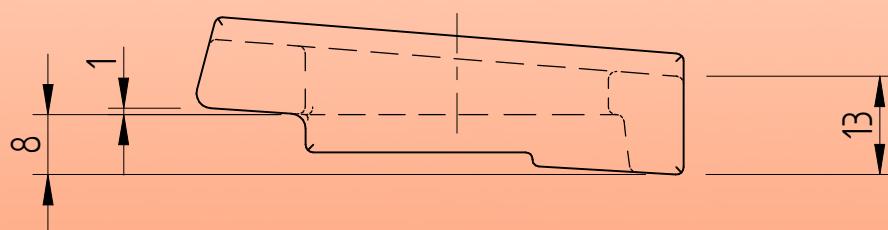
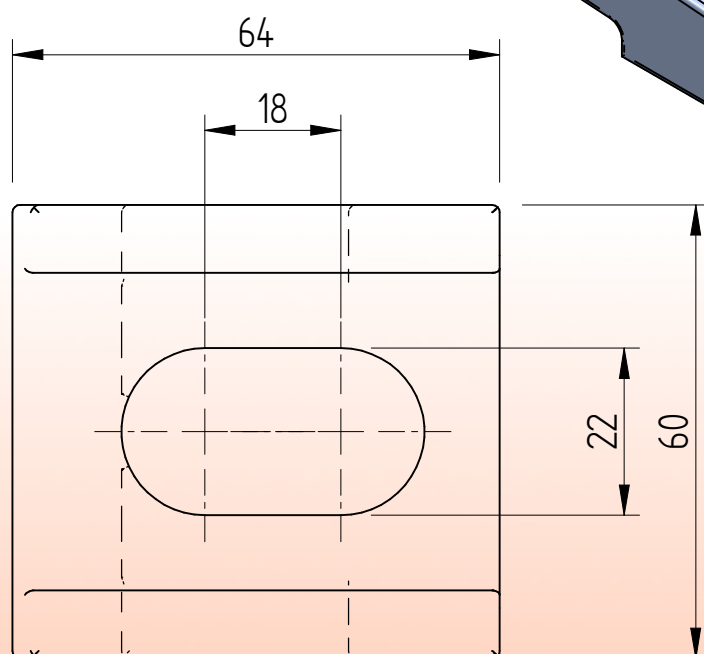
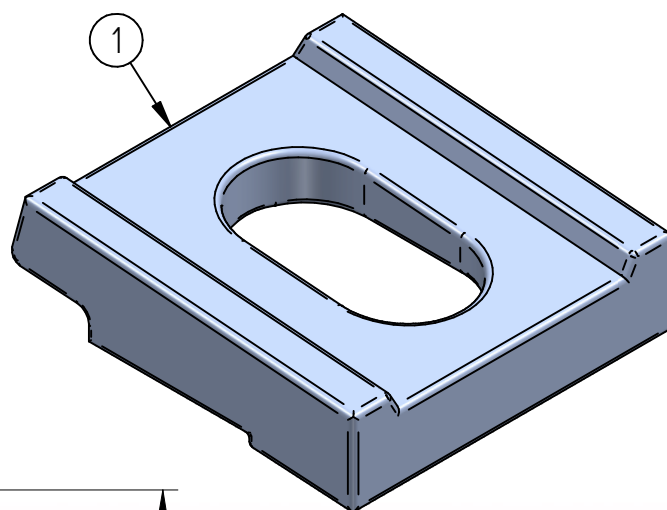
Adjustable rail clip AM20



	Distance between stud M20			P	Rail base + 40	[mm]
	Minimum assembly width clips			W	Rail base + 120	[mm]
	Nominal width sole plate with anchorbolts			W	Rail base + 120	[mm]
	F [mm]	C [mm]	A [mm]	1. Rail without pad		2. Pad mounted rail
A55	150	55	65	AM20 H13	AM20 H19	
A65	175	65	75	AM20 H13	AM20 H19	
A75	200	75	85	AM20 H16	AM20 H22	
A100	200	100	95	AM20 H16	AM20 H22	
A120	220	120	105	AM20 H16	AM20 H22	
AS86	150	101,6	152,4	AM20 H22	AM20 H28	
PRI85r	152,4	101,6	152,4	AM20 H22	AM20 H28	
MRS51	127	64	127	AM20 H19	AM20 H25	
MRS67	132	76	146	AM20 H16	AM20 H22	
MRS73	146	70	157	AM20 H22	AM20 H28	
MRS87A	152,4	101,6	152,4	AM20 H22	AM20 H28	
BSC101	165	100	155	AM20 H22	AM20 H28	
ISCR70	120	70	120	AM20 H16	AM20 H22	
ISCR80	130	80	130	AM20 H16	AM20 H22	
ISCR100	150	100	150	AM20 H16	AM20 H22	
ISCR120	170	120	170	AM20 H19	AM20 H25	
QU70	120	70	120	AM20 H16	AM20 H22	
QU80	130	80	130	AM20 H16	AM20 H22	
QU100	150	100	150	AM20 H16	AM20 H22	
QU120	170	120	170	AM20 H19	AM20 H25	
30E1 (S30)	108	60	108	AM20 H13	AM20 H19	
33E1 (S33)	105	58	134	AM20 H13	AM20 H19	
40E1 (S41-R14)	125	67	138	AM20 H13	AM20 H19	
41E1 (S41-R10)	125	67	138	AM20 H13	AM20 H19	
49E1 (S49)	125	67	149	AM20 H16	AM20 H22	
S54	125	67	154	AM20 H16	AM20 H22	
46E3 (NP46)	120	72	142	AM20 H16	AM20 H22	
50E2 (EB50T)	140	67	151	AM20 H16	AM20 H22	
EB63	140	72	151	AM20 H19	AM20 H25	
54E1 (UIC54)	140	70	159	AM20 H16	AM20 H22	
60E1 (UIC60)	150	72	172	AM20 H16	AM20 H22	
ASCE85	131,8	65,1	131,8	AM20 H13	AM20 H19	

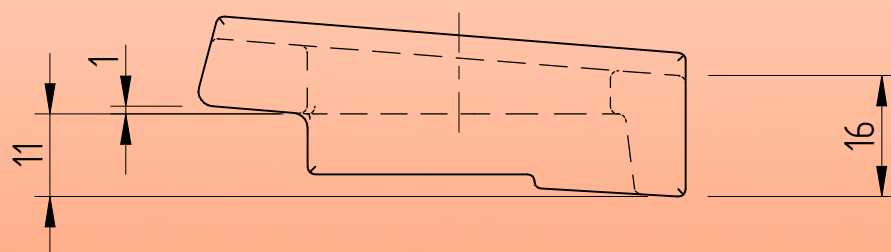
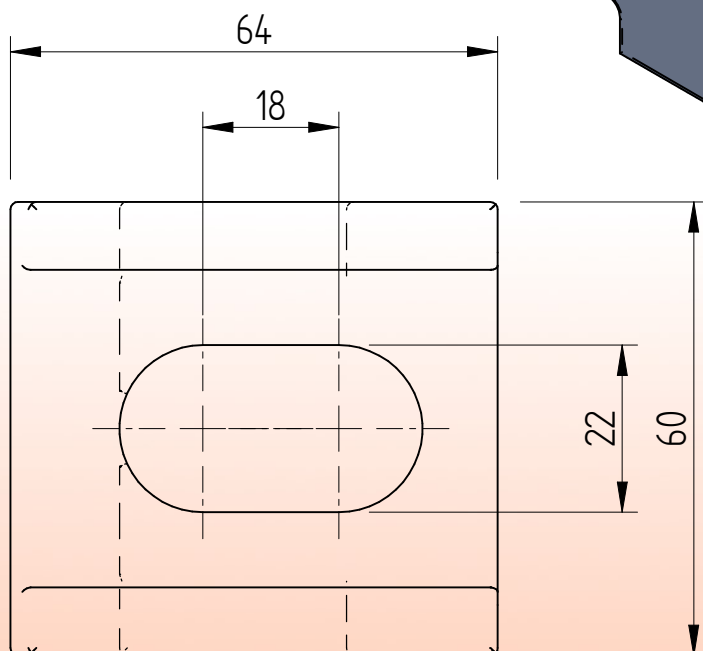
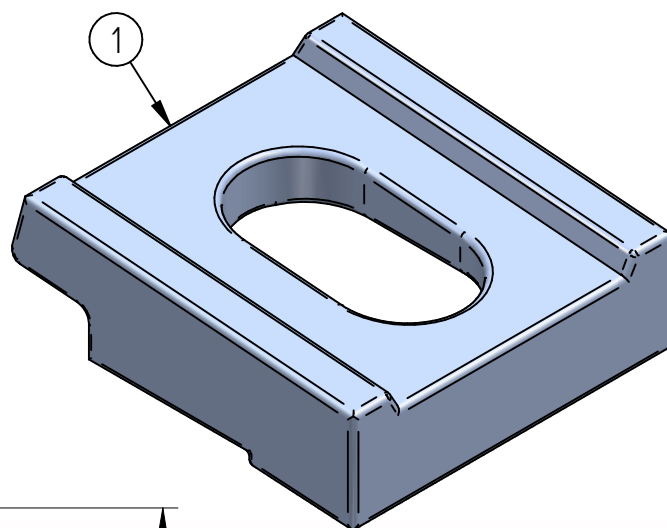
Specification	Stud bolt M20 DIN938 Grade 8.8 HDG	
Maximum side load without Fv	75 [kN]	
Tightening torque	300 [Nm]	

Standard rail clip AM20 H13



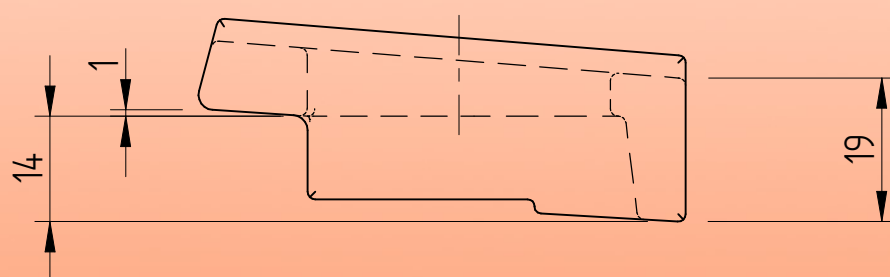
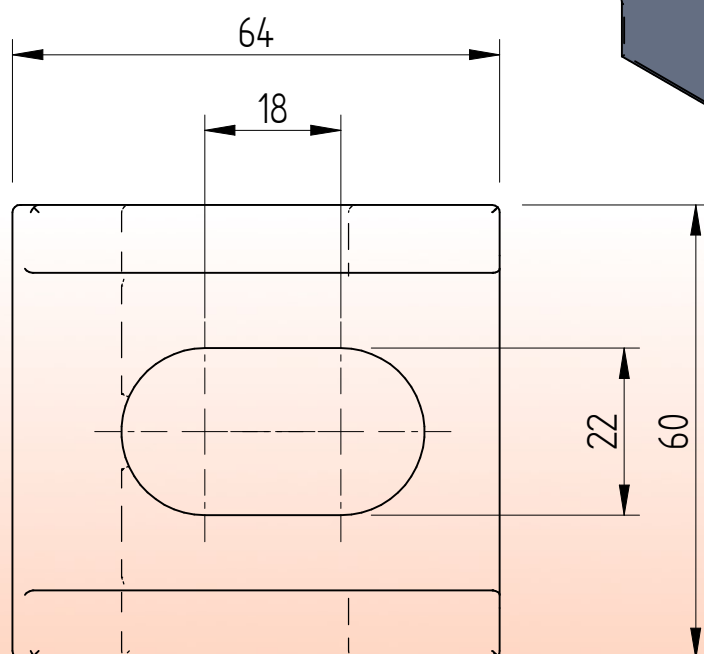
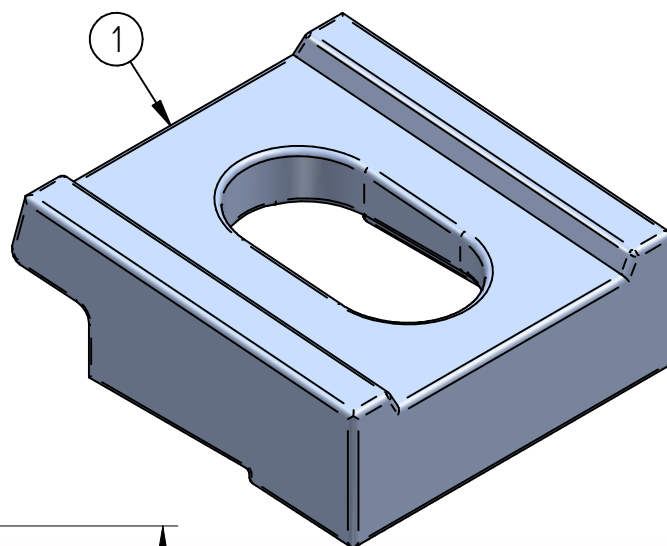
Item	Description	Material	Type / Dimensions	Norm	Comments
1	Adjustable railclip AM20	S235JR H.D.G.	AM20 H13		m = 0,274 [kg]

Standard rail clip AM20 H16



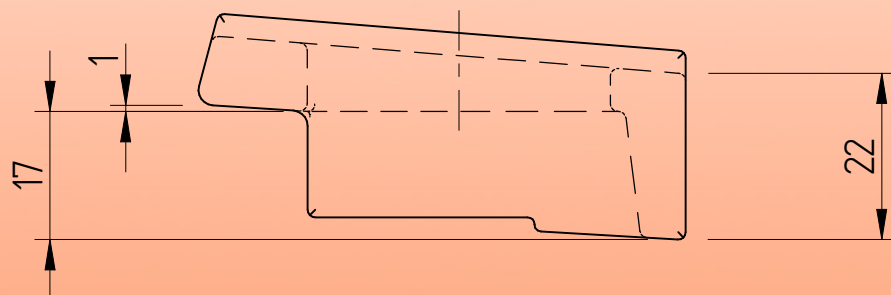
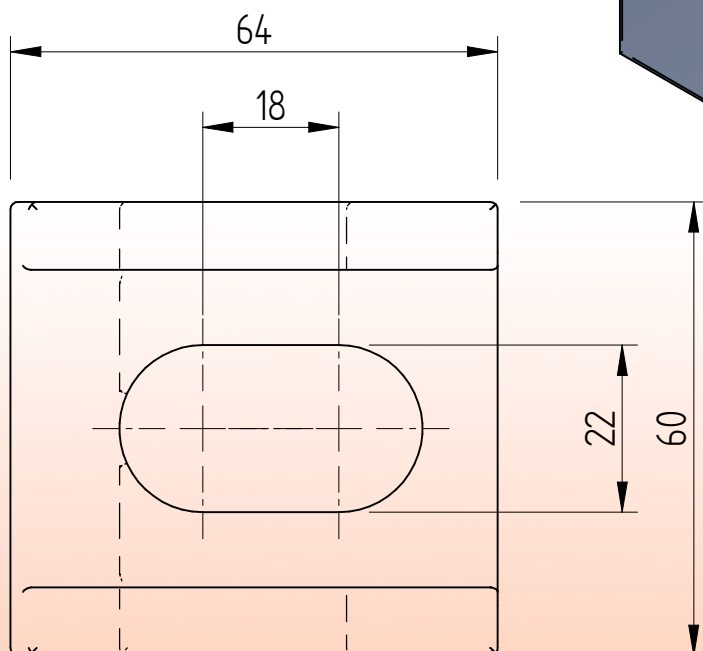
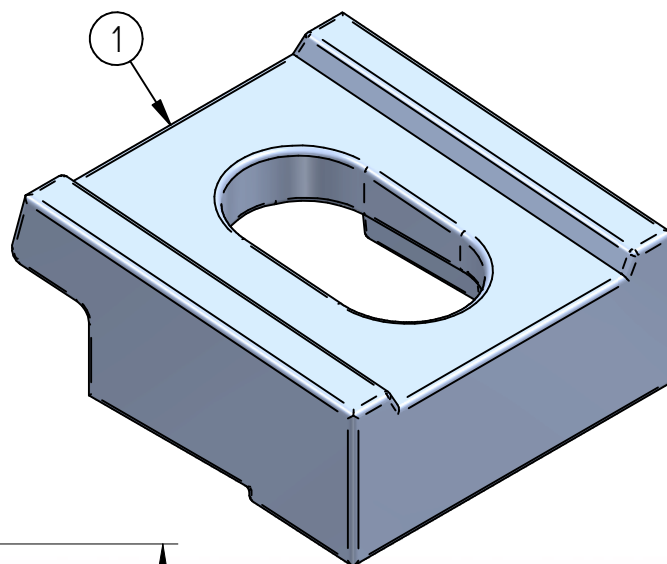
Item	Description	Material	Type / Dimensions	Norm	Comments
1	Adjustable railclip AM20	S235JR H.D.G.	AM20 H16		m = 0,307 [kg]

Standard rail clip AM20 H19



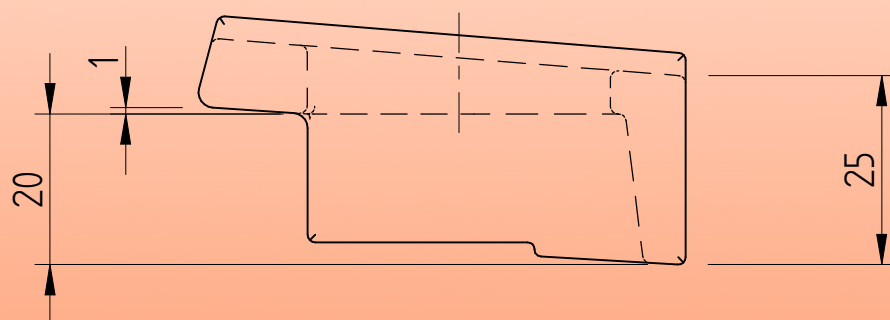
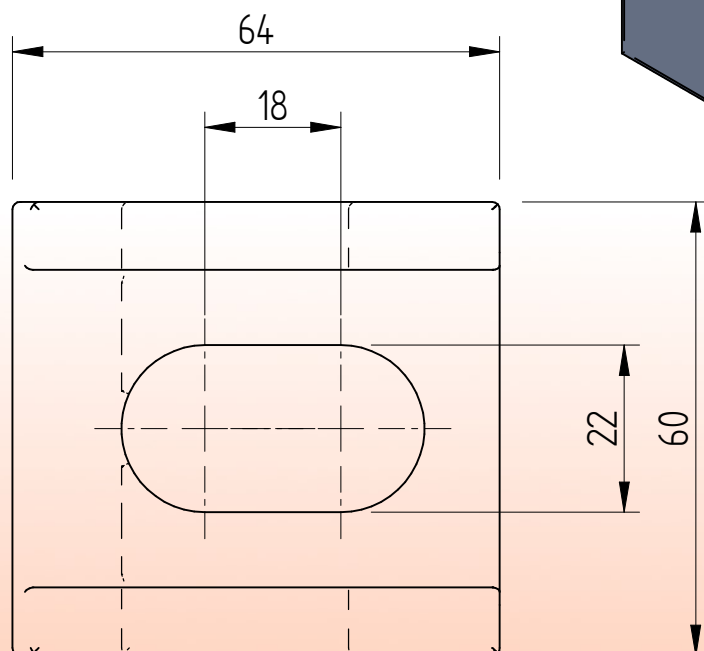
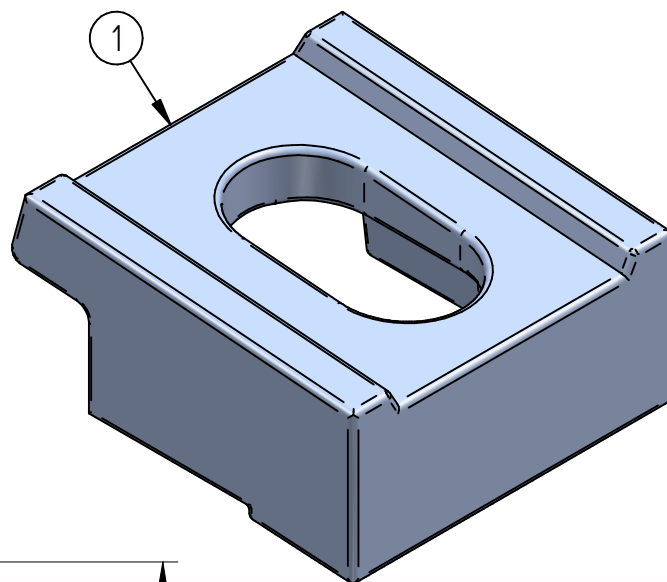
Item	Description	Material	Type / Dimensions	Norm	Comments
1	Adjustable railclip AM20	S235JR H.D.G.	AM20 H19		m = 0,339 [kg]

Standard rail clip AM20 H22



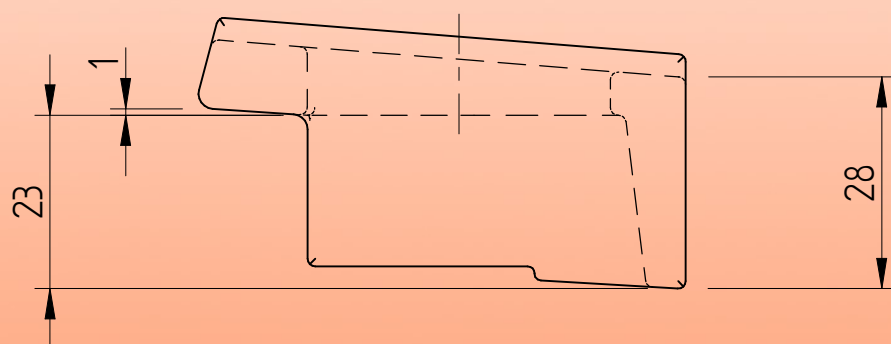
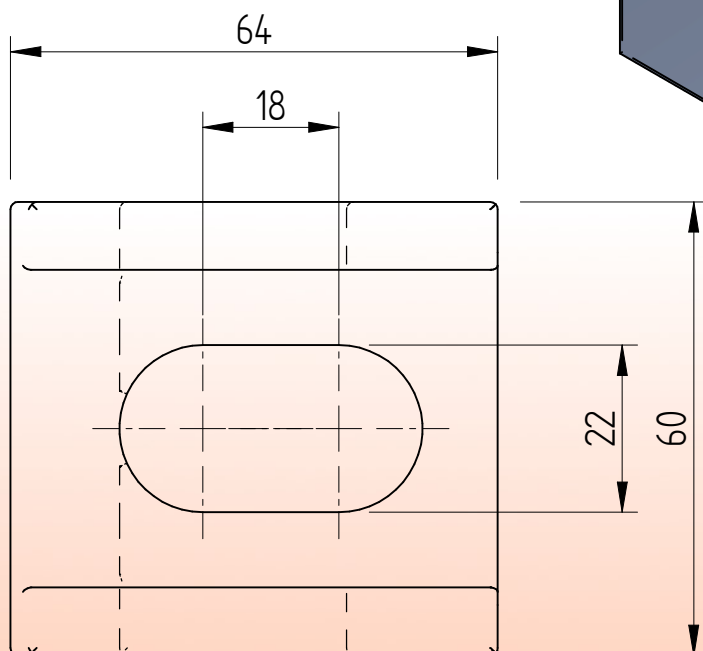
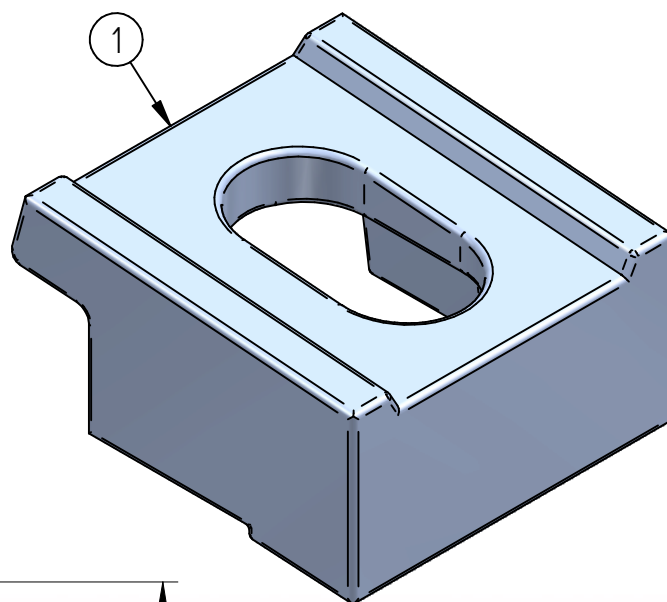
Item	Description	Material	Type / Dimensions	Norm	Comments
1	Adjustable railclip AM20	S235JR H.D.G.	AM20 H22		m = 0,370 [kg]

Standard rail clip AM20 H25



Item	Description	Material	Type / Dimensions	Norm	Comments
1	Adjustable railclip AM20	S235JR H.D.G.	AM20 H25		m = 0,400 [kg]

Standard rail clip AM20 H28



Item	Description	Material	Type / Dimensions	Norm	Comments
1	Adjustable railclip	S235JR H.D.G.	AM20 H28		m = 0,428 [kg]

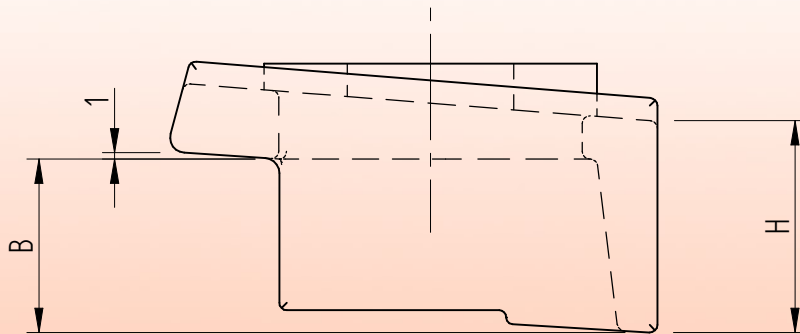
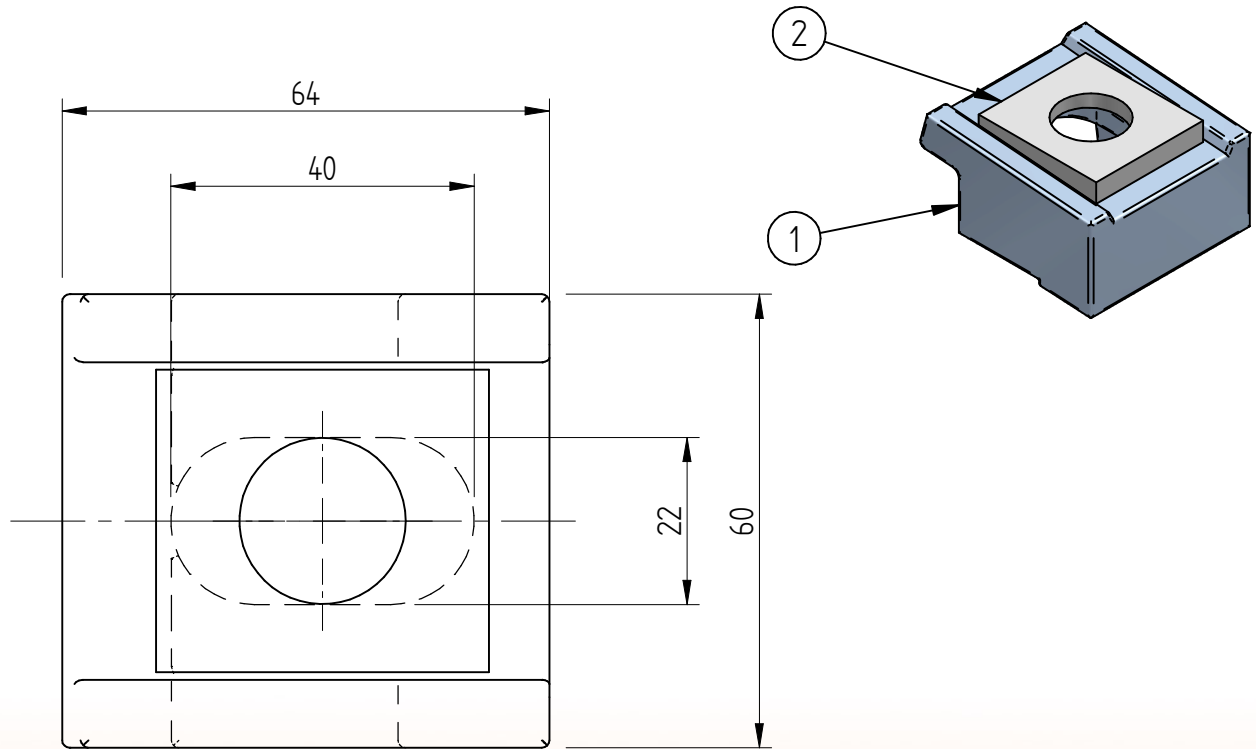


BemoRail

Debbemeerweg 59
1749 DK Warmenhuizen
The Netherlands

Tel.: +31 (0)226 425300
Email: info@bemorail.nl
www.bemorail.com

Adjustable rail clip AM20



Name	B	H	Mass
AM20 H13	8,0 [mm]	13,0 [mm]	0,247 [kg]
AM20 H16	11,0 [mm]	16,0 [mm]	0,307 [kg]
AM20 H19	14,0 [mm]	19,0 [mm]	0,339 [kg]
AM20 H22	17,0 [mm]	22,0 [mm]	0,370 [kg]
AM20 H25	20,0 [mm]	25,0 [mm]	0,400 [kg]
AM20 H28	23,0 [mm]	28,0 [mm]	0,428 [kg]

* Standard preservation is hot dip galvanized
Other preservation options in agreement

2	Square taper washer	St. HDG.	M20	DIN 434	8%
1	Adjustable railclip	S235JR *	AM20		
Item	Description	Material	Type / Dimensions	Norm	Comments



BemoRail

Debbemeerweg 59
1749 DK Warmenhuizen
The Netherlands

Tel.: +31 (0)226 425300
Email: info@bemorail.nl
www.bemorail.com