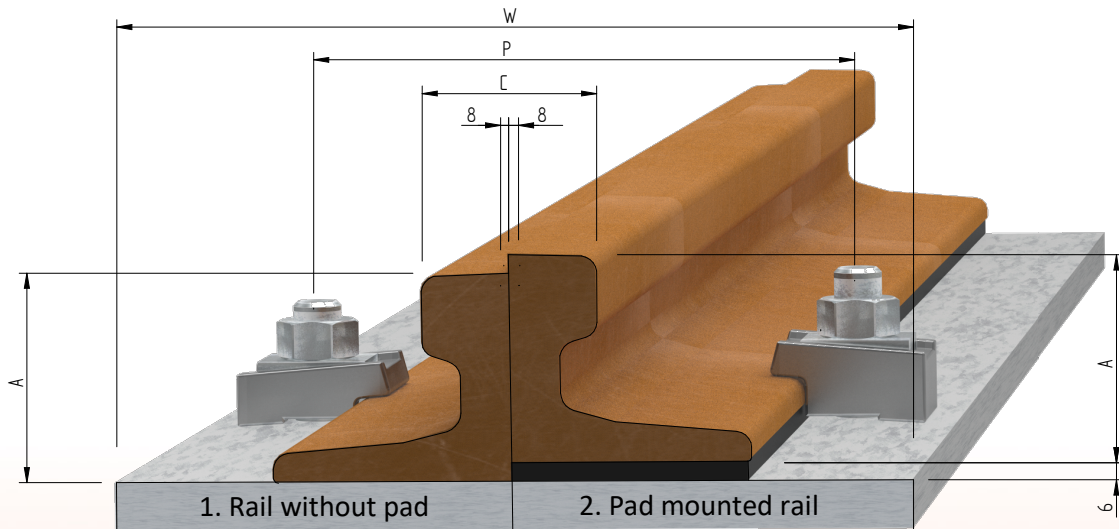


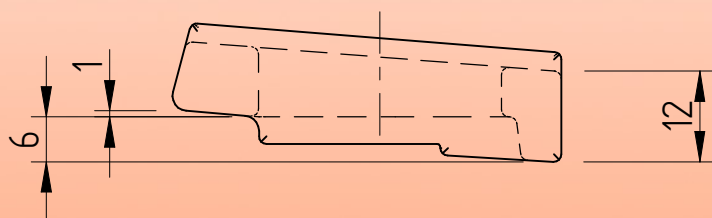
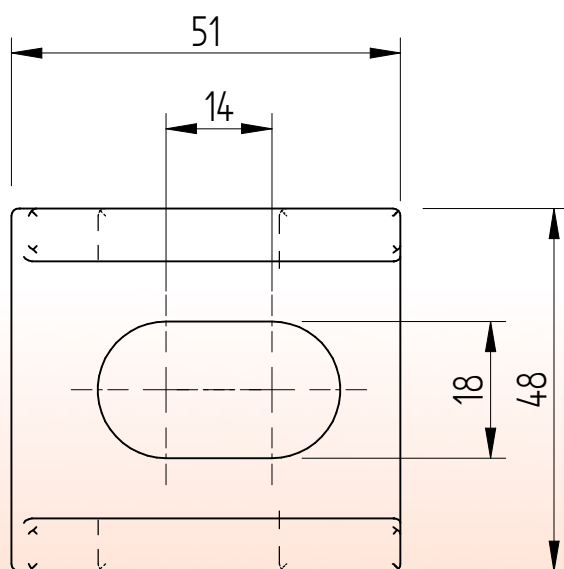
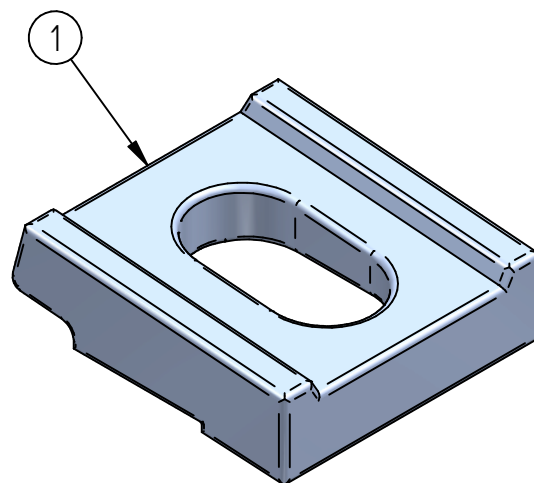
Adjustable rail clip AM16



	Distance between studbolts M16			P	Rail base +32	[mm]
	Minimum assembly width clips			W	Rail base +96	[mm]
	Nominal width sole plate with anchorbolts			W	Rail base +110	[mm]
	F [mm]	C [mm]	A [mm]	1. Rail without pad		2. Pad mounted rail
A45	125	45	55	AM16 H15		AM16 H21
A55	150	55	65	AM16 H15		AM16 H21
A65	175	65	75	AM16 H15		AM16 H21
30E1 (S30)	108	60,3	108	AM16 H15		AM16 H21
33E1 (S33)	105	58	134	AM16 H15		AM16 H21
40E1 (S41-R14)	125	67	138	AM16 H15		AM16 H21
41E1 (S41-R10)	125	67	138	AM16 H15		AM16 H21
ASCE60	108	60,3	108	AM16 H15		AM16 H21
ASCE85	131,8	65,1	131,8	AM16 H15		AM16 H21

Specification	Stud bolt M16 DIN938 Grade 8.8 HDG	
Maximum side load without Fv Tightening torque	38 [kN] 200 [Nm]	

Standard rail clip AM16 H12



Item	Description	Material	Type / Dimensions	Norm	Comments
1	Adjustable railclip AM16	S235JR H.D.G.	AM16 H12		m = 0,165 [kg]

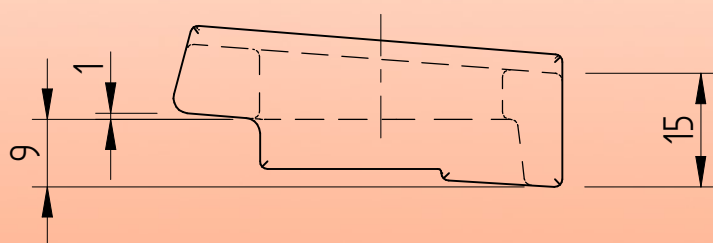
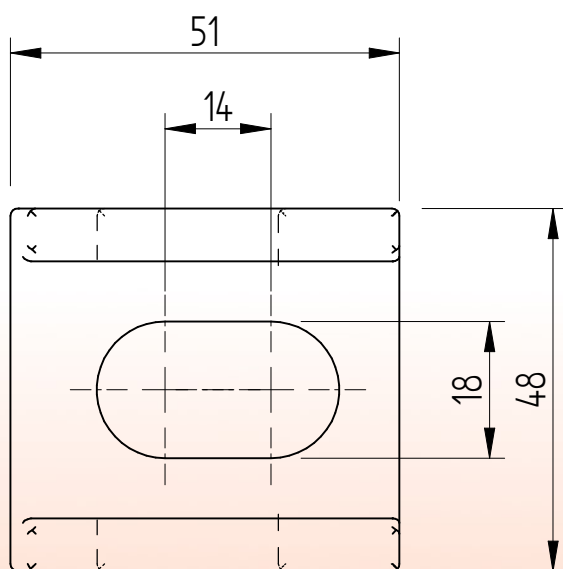
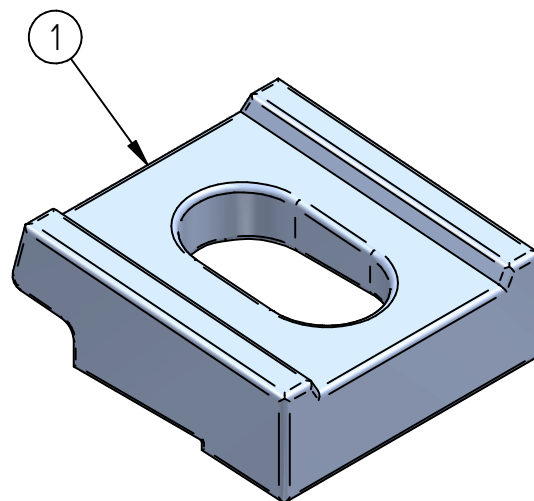


BemoRail

Debbemeerweg 59
1749 DK Warmenhuizen
The Netherlands

Tel.: +31 (0)226 425300
Email: info@bemorail.nl
www.bemorail.com

Standard rail clip AM16 H15



Item	Description	Material	Type / Dimensions	Norm	Comments
1	Adjustable railclip AM16	S235JR H.D.G.	AM16 H15		m = 0,186 [kg]

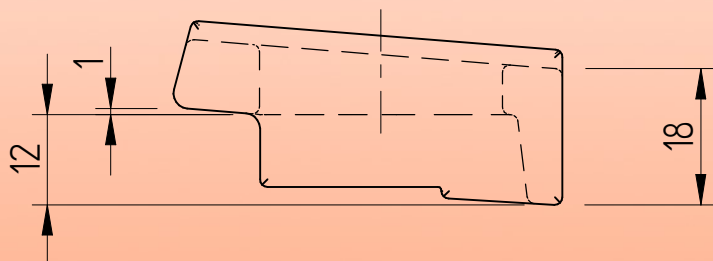
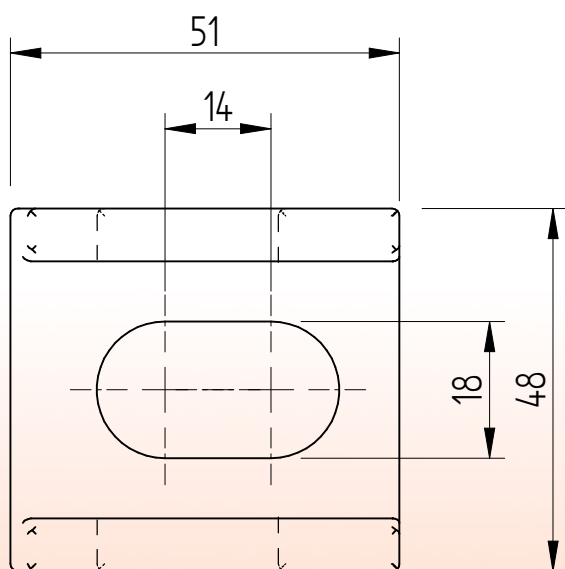
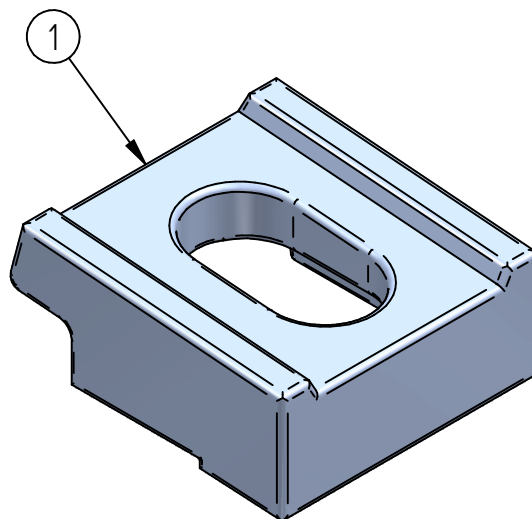


BemoRail

Debbemeerweg 59
1749 DK Warmenhuizen
The Netherlands

Tel.: +31 (0)226 425300
Email: info@bemorail.nl
www.bemorail.com

Standard rail clip AM16 H18



Item	Description	Material	Type / Dimensions	Norm	Comments
1	Adjustable railclip AM16	S235JR H.D.G.	AM16 H18		m = 0,206 [kg]

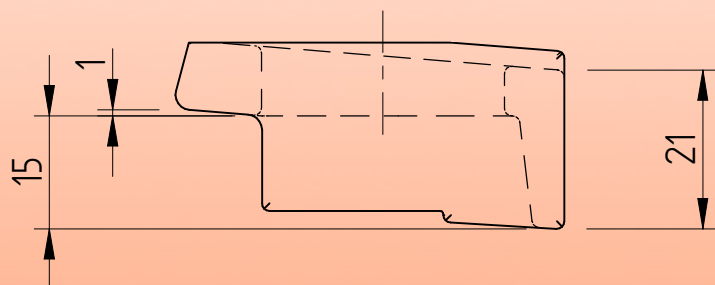
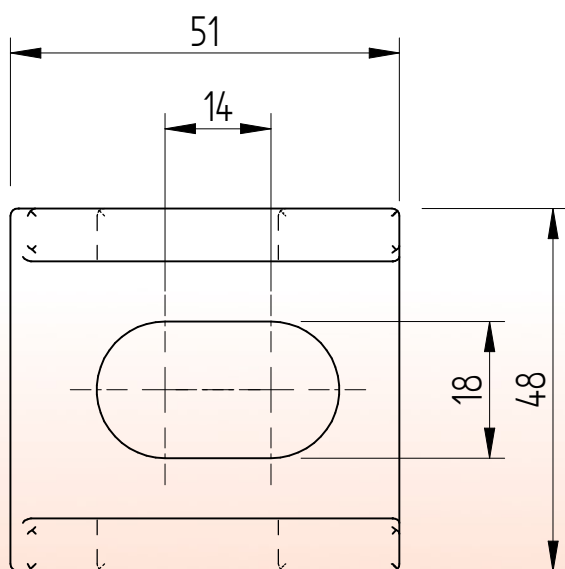
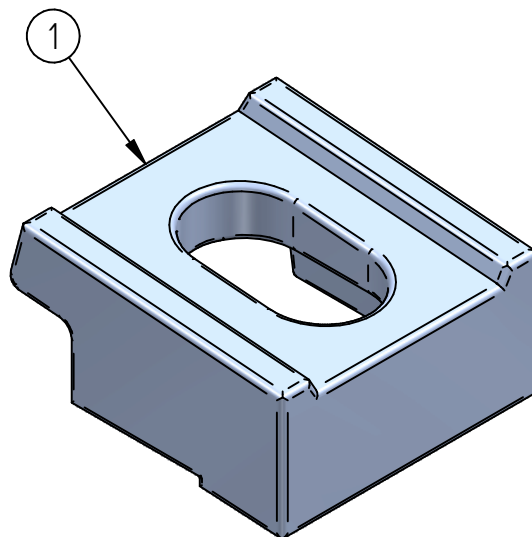


BemoRail

Debbemeerweg 59
1749 DK Warmenhuizen
The Netherlands

Tel.: +31 (0)226 425300
Email: info@bemorail.nl
www.bemorail.com

Standard rail clip AM16 H21



Item	Description	Material	Type / Dimensions	Norm	Comments
1	Adjustable railclip AM16	S235JR H.D.G.	AM16 H21		m = 0,225 [kg]

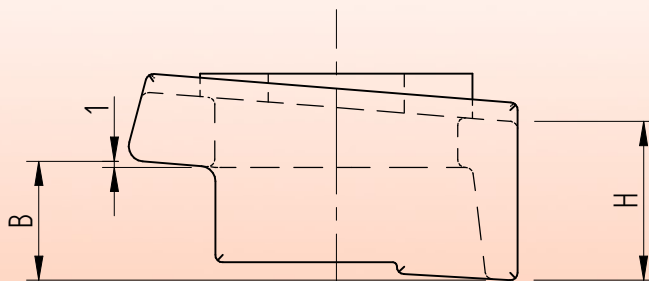
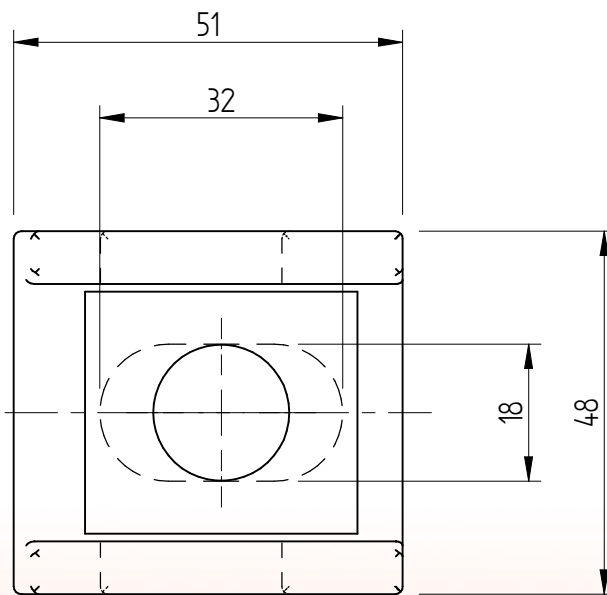
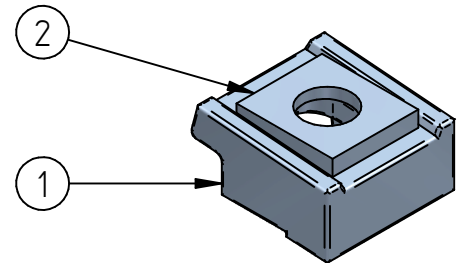


BemoRail

Debbemeerweg 59
1749 DK Warmenhuizen
The Netherlands

Tel.: +31 (0)226 425300
Email: info@bemorail.nl
www.bemorail.com

Adjustable rail clip AM16



Name	B	H	Mass
AM16 H12	6,0 [mm]	12,0 [mm]	0,165 [kg]
AM16 H15	9,0 [mm]	15,0 [mm]	0,186 [kg]
AM16 H18	12,0 [mm]	18,0 [mm]	0,206 [kg]
AM16 H21	15,0 [mm]	21,0 [mm]	0,225 [kg]

* Standard preservation is hot dip galvanized
Other preservation options in agreement

2	Square taper washer	St. HDG.	M16	DIN 434	8%
1	Adjustable railclip AM16	S235JR *	AM16		
Item	Description	Material	Type / Dimensions	Norm	Comments



BemoRail

Debbemeerweg 59
1749 DK Warmenhuizen
The Netherlands

Tel.: +31 (0)226 425300
Email: info@bemorail.nl
www.bemorail.com