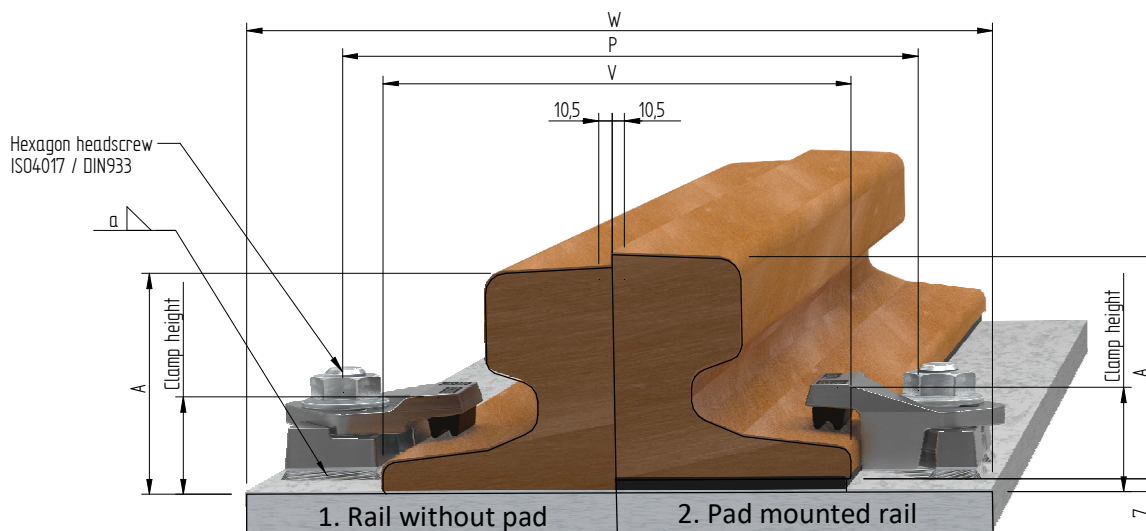


# Adjustable weldable rail clip STS20R

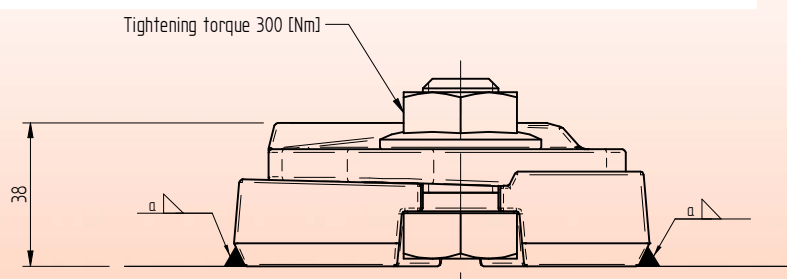
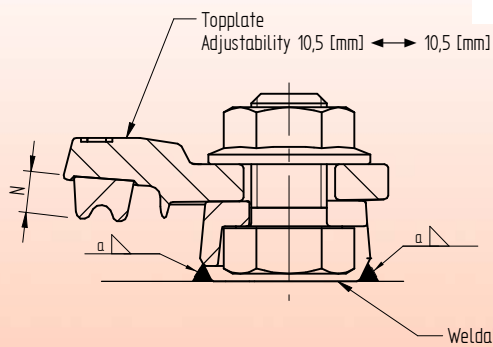
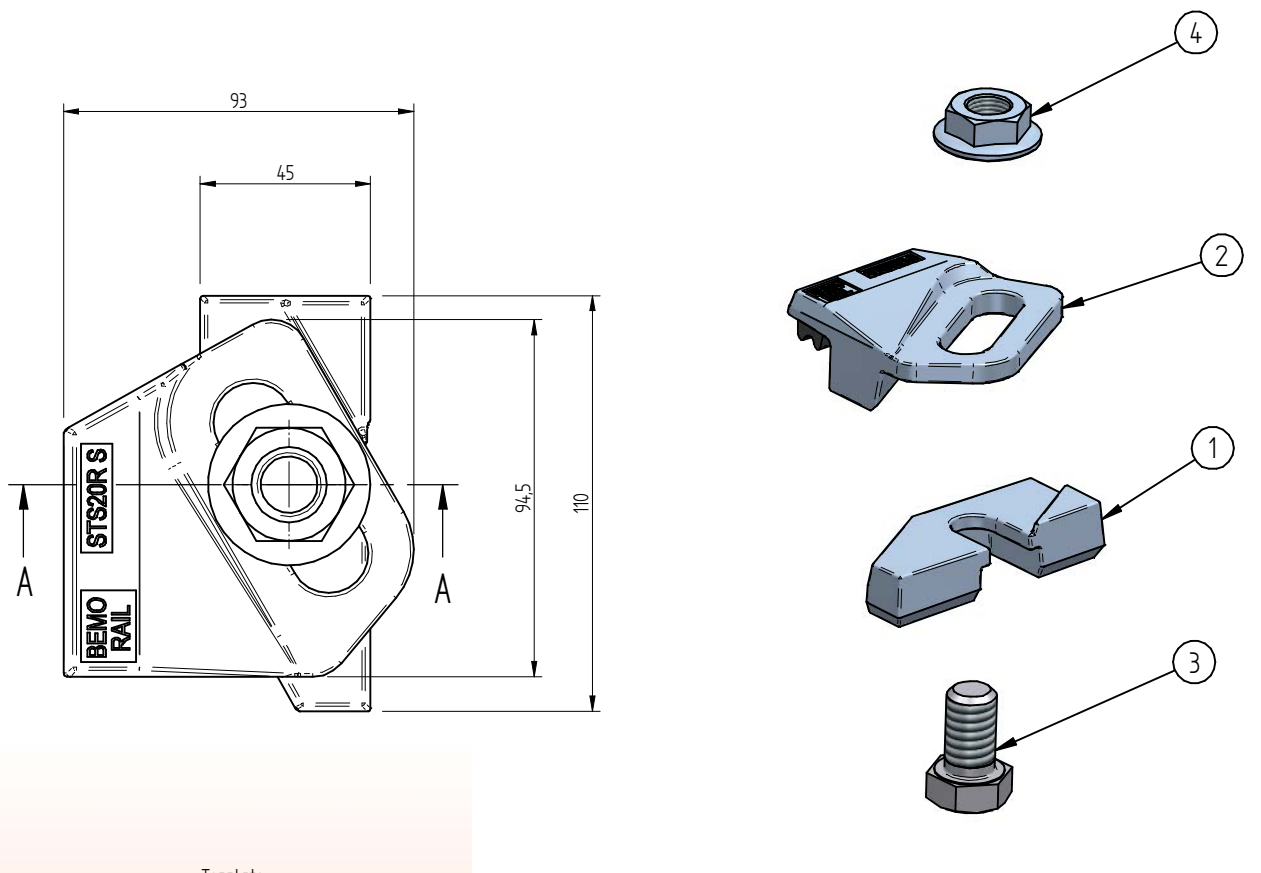


Clamp height	
S = 38 [mm]	
L = 44 [mm]	
XL = 50 [mm]	

	Inside distance between baseplates			V	Rail base +21	[mm]
	Distance between bolts M20			P	Rail base +69	[mm]
	Minimum width sole plate			W	Rail base +128	[mm]
	F [mm]	C [mm]	A [mm]	1. Rail without pad		2. Pad mounted rail
A100	200	100	95	STS20 S		STS20 L
A120	220	120	105	STS20 S		STS20 L
A150	220	150	150	STS20 S		STS20 L
AS86	150	101,6	152,4	STS20 S		STS20 L
MRS51	127	64	127	STS20 S		STS20 L
MRS67	132	76	146	STS20 S		STS20 L
MRS87A	152,4	101,6	152,4	STS20 S		STS20 L
PRI85r	152,4	101,6	152,4	STS20 S		STS20 L
MRS125	180	120	180	STS20 L		STS20 XL
BSC101	165	100	150	STS20 S		STS20 L
ISCR70	120	70	120	STS20 S		STS20 L
ISCR80	130	80	130	STS20 S		STS20 L
ISCR100	150	100	150	STS20 S		STS20 L
ISCR120	170	120	170	STS20 S		STS20 L
ISCR140	170	140	170	STS20 L		STS20 XL
QU70	120	70	120	STS20 S		STS20 L
QU80	130	80	130	STS20 S		STS20 L
QU100	150	100	150	STS20 S		STS20 L
QU120	170	120	170	STS20 S		STS20 L
S54	125	67	154	STS20 S		STS20 L
50E2 (EB50T)	140	67	151	STS20 S		STS20 L
EB63	140	72	151	STS20 S		STS20 L

Specification Bolts		Fillet weld	Max side load [kN]	
Hexagon headscrew:	ISO4017 / DIN933	a4	120 [kN]	
Steel grade:	8.8 HDG	a5	150 [kN]	
Tightening torque:	300 [Nm]	a6	180 [kN]	

# Adjustable weldable rail clip STS20R S



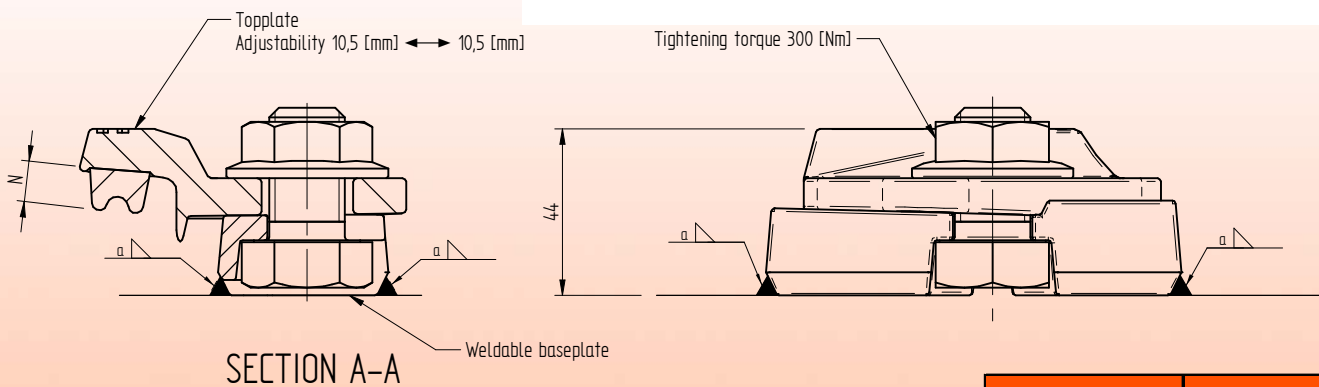
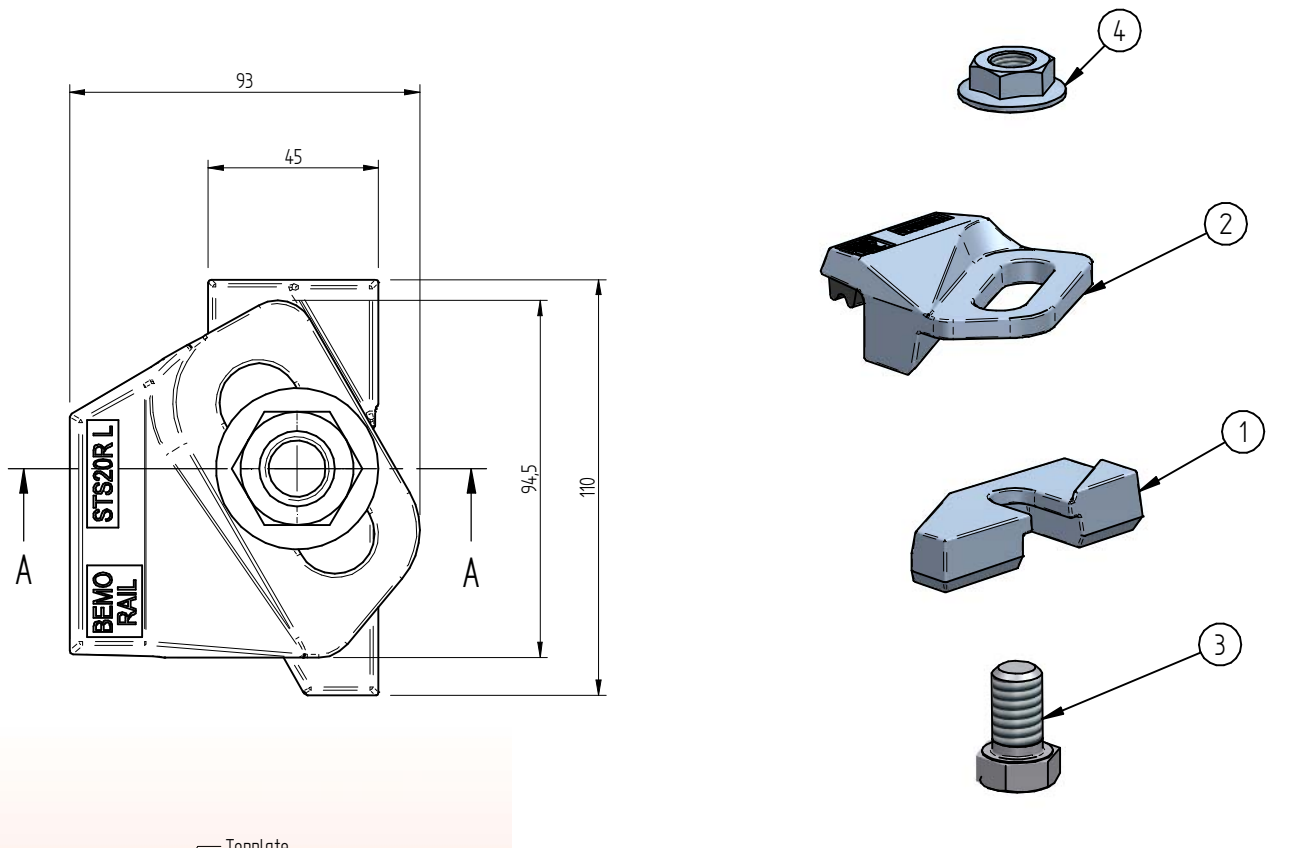
SECTION A-A

Name	N
STS20RC S N9	9,0 [mm]
STS20RC S N11	11,0 [mm]
STS20RC S N13	13,0 [mm]

\* Standard preservation is hot dip galvanized.  
Other preservation options in agreement

4	Low hexagon flange nut	Grade 8 HDG.	M20 ISO-metric	-	m = 0,059 [kg]
3	Hexagon head screw	8.8 ZP.	M20x35	DIN 933	
2	Weldable adjustable rail clamp cover S with rubber nose	S355 J2*	STS20RC S		m = 0,591 [kg]
1	Weldable adjustable rail clamp base	S355 J2 self coloured	STS20RB		m = 0,547 [kg]
Item	Description	Material	Type / Dimensions	Norm	Comments

# Adjustable weldable rail clip STS20R L



Name	N
STS20RC L N9	9,0 [mm]
STS20RC L N11	11,0 [mm]
STS20RC L N13	13,0 [mm]

\* Standard preservation is hot dip galvanized.  
Other preservation options in agreement

4	Low hexagon flange nut	Grade 8 HDG.	M20 ISO-metric	-	m = 0,059 [kg]
3	Hexagon head screw	8.8 ZP.	M20x35	DIN 933	
2	Weldable adjustable rail clamp cover L with rubber nose	S355 J2*	STS20RC L		m = 0,610 [kg]
1	Weldable adjustable rail clamp base	S355 J2 self coloured	STS20RB		m = 0,547 [kg]
Item	Description	Material	Type / Dimensions	Norm	Comments

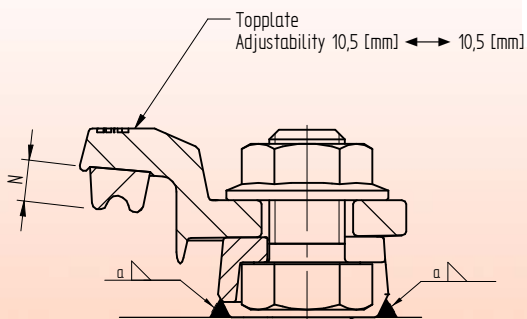
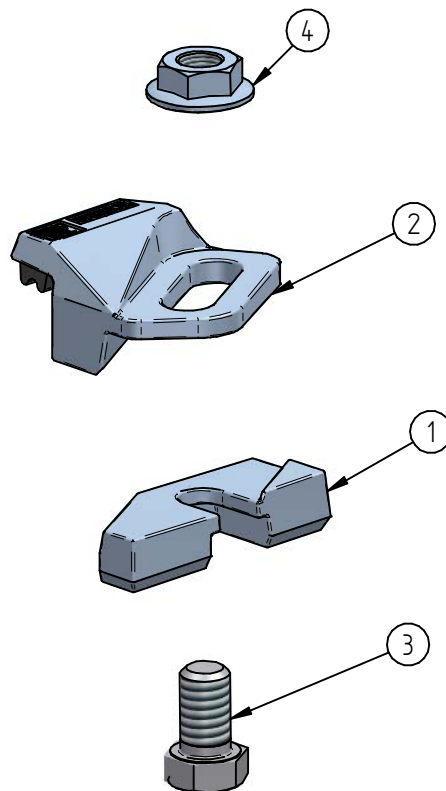
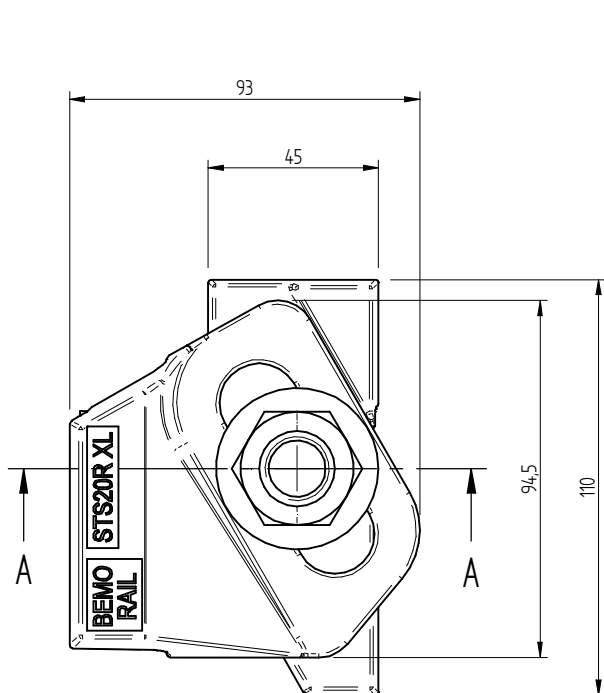


**BemoRail**

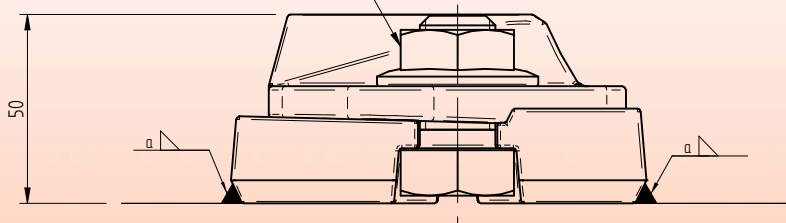
Debbemeerweg 59  
1749 DK Warmenhuizen  
The Netherlands

Tel.: +31 (0)226 425300  
Email: info@bemorail.nl  
www.bemorail.com

# Adjustable weldable rail clip STS20R XL



Tightening torque 300 [Nm]



SECTION A-A

Name	N
STS20RC XL N9	9,0 [mm]
STS20RC XL N11	11,0 [mm]
STS20RC XL N13	13,0 [mm]

\* Standard preservation is hot dip galvanized.  
Other preservation options in agreement

4	Low hexagon flange nut	Grade 8 HDG.	M20 ISO-metric	-	m = 0,059 [kg]
3	Hexagon head screw	8.8 ZP.	M20x35	DIN 933	
2	Weldable adjustable rail clamp cover XL with rubber nose	S355 J2*	STS20RC XL		m = 0,634 [kg]
1	Weldable adjustable rail clamp base	S355 J2 self coloured	STS20RB		m = 0,547 [kg]
Item	Description	Material	Type / Dimensions	Norm	Comments