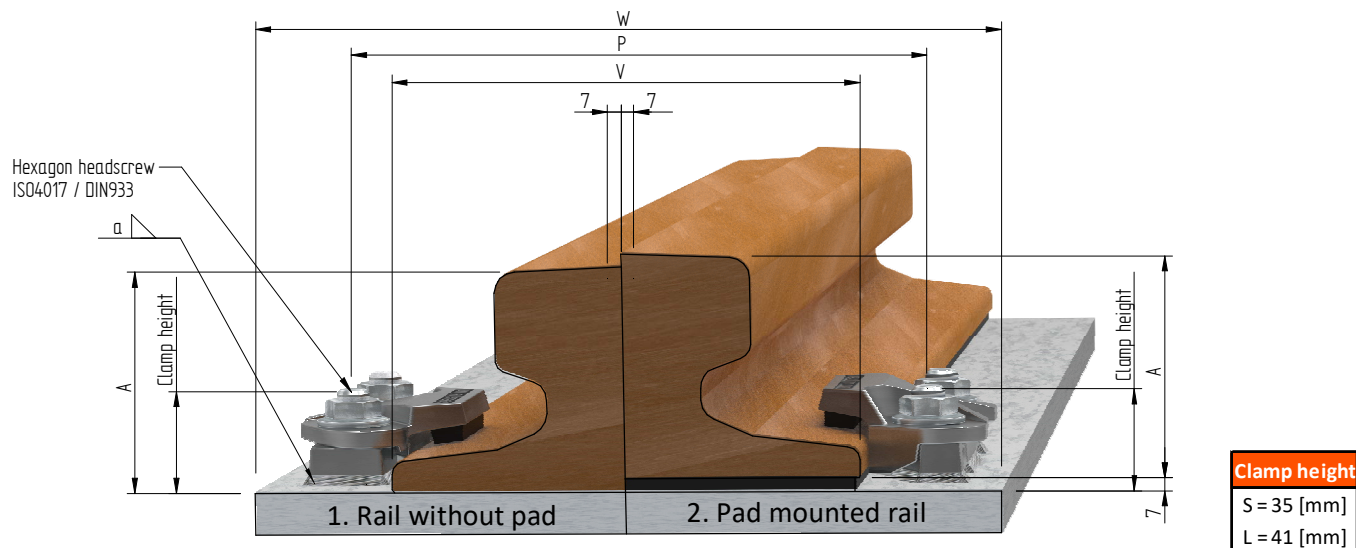


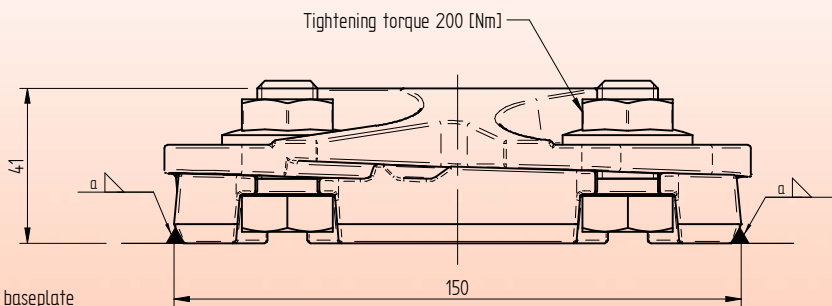
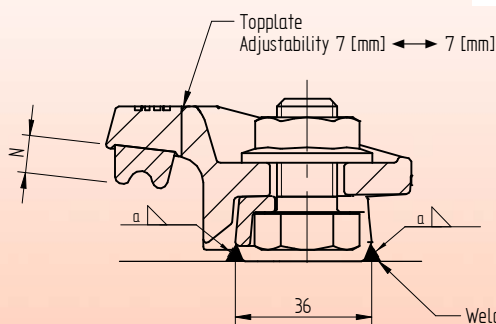
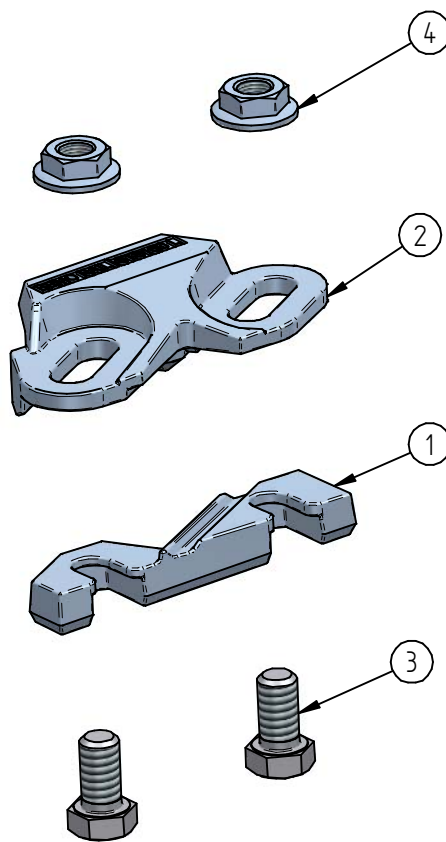
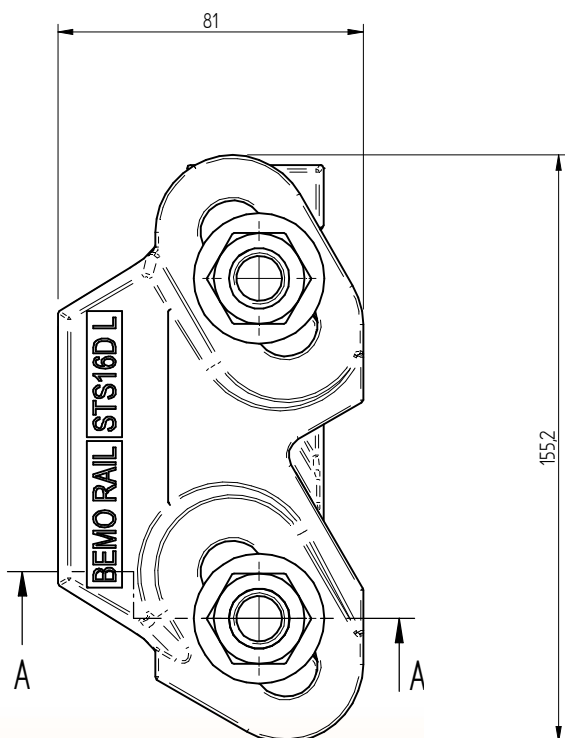
# Adjustable weldable double rail clip STS16DR



	Inside distance between baseplates			V	Rail base + 14	[mm]
	Distance between bolts M16			P	Rail base + 55	[mm]
	Minimum width sole plate			W	Rail base + 100	[mm]
	F [mm]	C [mm]	A [mm]	1. Rail without pad		2. Pad mounted rail
A65	175	65	75	STS16RD S		STS16RD L
A75	200	75	85	STS16RD S		STS16RD L
A100	200	100	95	STS16RD S		STS16RD L
A120	220	120	105	STS16RD S		STS16RD L
MRS51	127	64	127	STS16RD S		STS16RD L
MRS67	132	76	146	STS16RD S		STS16RD L
ISCR70	120	70	120	STS16RD S		STS16RD L
ISCR80	130	80	130	STS16RD S		STS16RD L
ISCR100	150	100	150	STS16RD S		STS16RD L
ISCR120	170	120	170	STS16RD S		STS16RD L
QU70	120	70	120	STS16RD S		STS16RD L
QU80	130	80	130	STS16RD S		STS16RD L
QU100	150	100	150	STS16RD S		STS16RD L
QU120	170	120	170	STS16RD S		STS16RD L
40E1 (S41-R14)	125	67	138	STS16RD S		STS16RD L
41E1 (S41-R10)	125	67	138	STS16RD S		STS16RD L
49E1 (S49)	125	67	149	STS16RD S		STS16RD L
S54	125	67	154	STS16RD S		STS16RD L
46E3 (NP46)	120	72	142	STS16RD S		STS16RD L
50E2 (EB50T)	140	67	151	STS16RD S		STS16RD L
EB63	140	72	151	STS16RD S		STS16RD L
54E1 (UIC54)	140	70	159	STS16RD S		STS16RD L
60E1 (UIC60)	150	72	172	STS16RD S		STS16RD L

Specification Bolts		Fillet weld	Max side load [kN]	
Hexagon headscrew:	ISO4017 / DIN933	a4	160 [kN]	
Steel grade:	8.8 HDG	a5	200 [kN]	
Tightening torque:	200 [Nm]			

# Adjustable weldable double rail clip STS16DR L



SECTION A-A

Name	N
STS16DRC L N9	9,0 [mm]
STS16DRC L N11	11,0 [mm]
STS16DRC L N13	13,0 [mm]

\* Standard preservation is hot dip galvanized.  
Other preservation options in agreement

4	Low Hexagon flange nut	Grade 8 H.D.G.	M16 ISO-metric	-	m = 0,044 [kg]
3	Hexagon head screw	8.8 ZP.	M16x30	DIN933	
2	Weldable adjustable rail clamp cover L with rubber nose	S355J2*	STS16DC L		m = 0,830 [kg]
1	Weldable adjustable rail clamp base	S355J2 self coloured	STS16DB		m = 0,409 [kg]
Item	Description	Material	Type / Dimensions	Norm	Comments

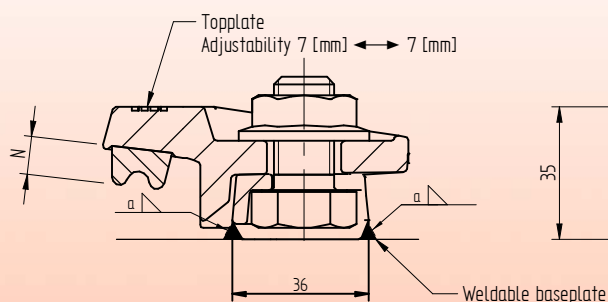
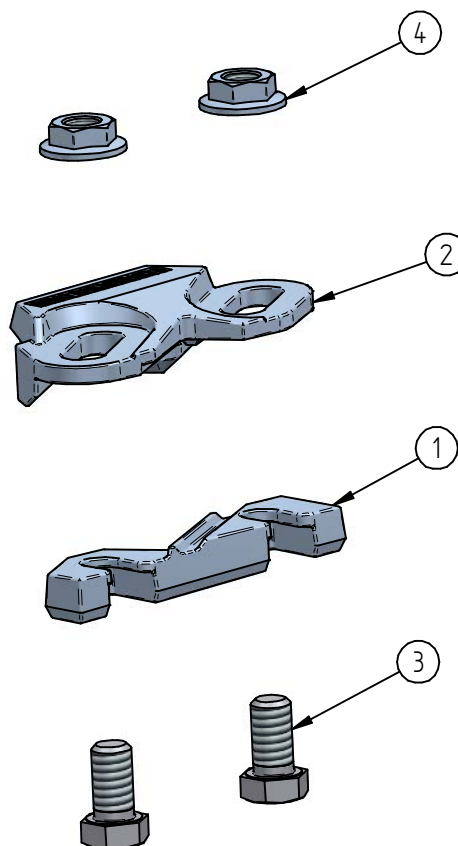
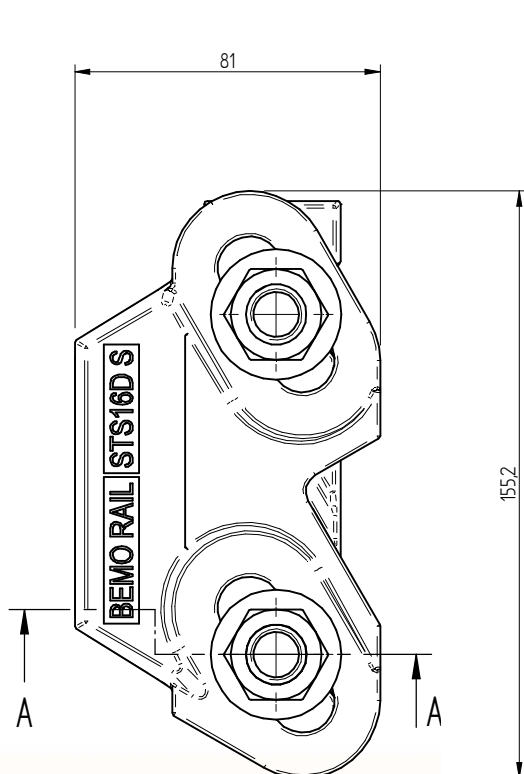


**BemoRail**

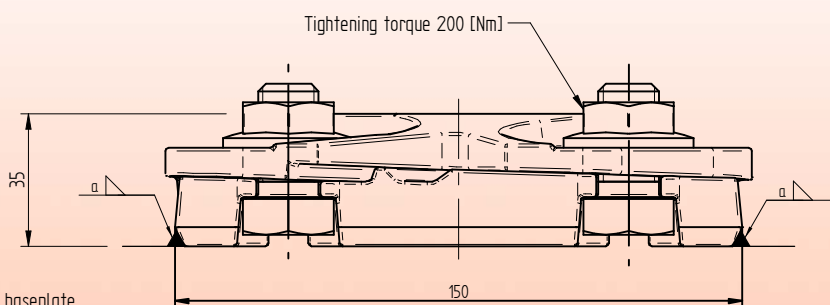
Debbemeerweg 59  
1749 DK Warmenhuizen  
The Netherlands

Tel.: +31 (0)226 425300  
Email: info@bemorail.nl  
www.bemorail.com

# Adjustable weldable double rail clip STS16DR S



SECTION A-A



Name	N
STS16DRC S N9	9,0 [mm]
STS16DRC S N11	11,0 [mm]
STS16DRC S N13	13,0 [mm]

\* Standard preservation is hot dip galvanized.  
Other preservation options in agreement

4	Low Hexagon flange nut	Grade 8 H.D.G.	M16 ISO-metric	-	m = 0,044 [kg]
3	Hexagon head screw	8.8 ZP.	M16x30	DIN933	
2	Weldable adjustable rail clamp cover S with rubber nose	S355J2*	STS16DC S		m = 0788 [kg]
1	Weldable adjustable rail clamp base	S355J2 self coloured	STS16DB		m = 0,409 [kg]
Item	Description	Material	Type / Dimensions	Norm	Comments



**BemoRail**

Debbemeerweg 59  
1749 DK Warmenhuizen  
The Netherlands

Tel.: +31 (0)226 425300  
Email: info@bemorail.nl  
www.bemorail.com