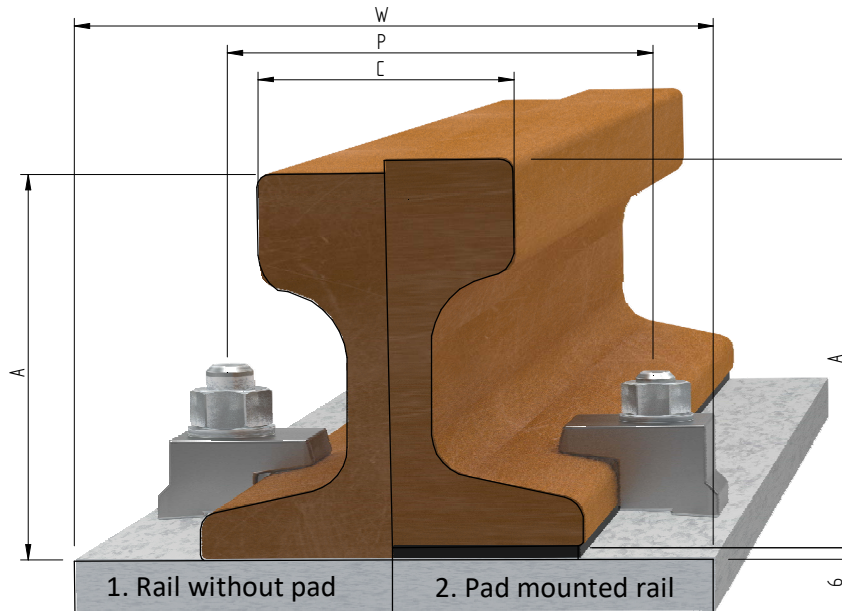


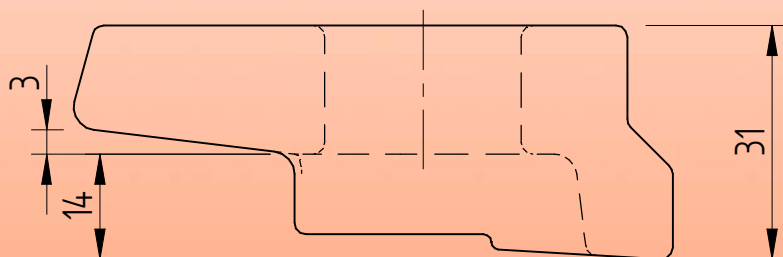
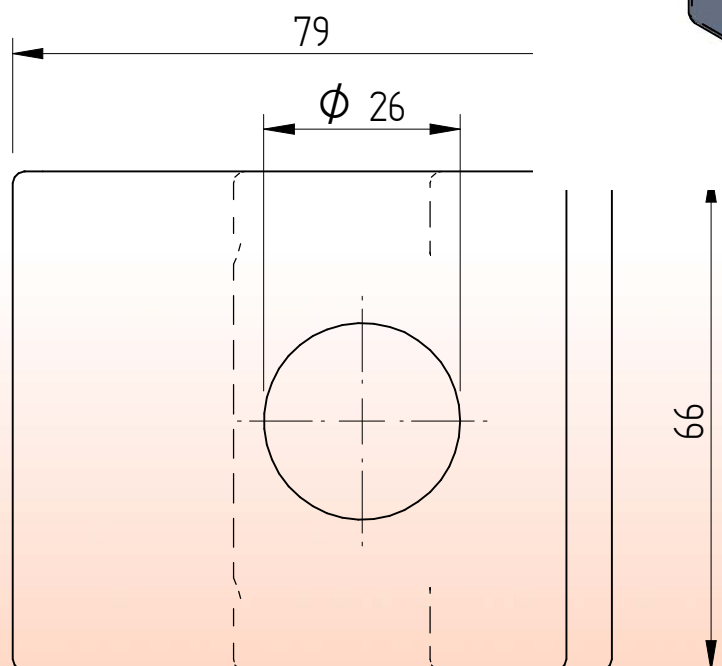
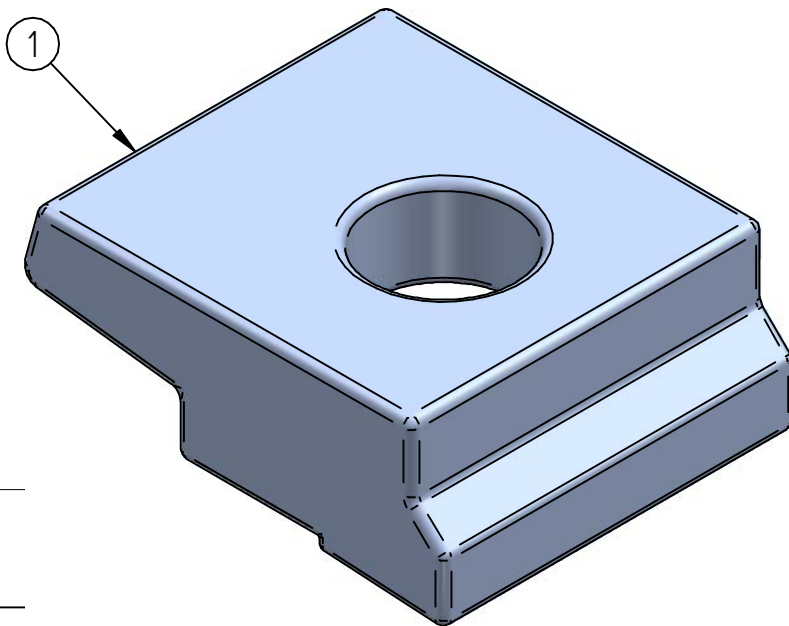
# Standard rail clip FM24



	Distance between stud M24			P	Rail base +34	[mm]
	Minimum assembly width clips			W	Rail base +100	[mm]
	Nominal width sole plate with anchorbolts			W	Rail base +120	[mm]
	F [mm]	C [mm]	A [mm]	1. Rail without pad		2. Pad mounted rail
A120	220	120	105	FM24 H31	FM24 H37	
A150	220	150	150	FM24 H34	FM24 H40	
AS86	150	101,6	152,4	FM24 H34	FM24 H40	
PRI85r	152,4	101,6	152,4	FM24 H34	FM24 H40	
MRS87A	152,4	101,6	152,4	FM24 H34	FM24 H40	
MRS125	180	120	180	FM24 H40	FM24 H46	
BSC101	165	100	155	FM24 H34	FM24 H40	
ISCR100	150	100	150	FM24 H31	FM24 H37	
ISCR120	170	120	170	FM24 H34	FM24 H40	
ISCR140	170	140	170	FM24 H40	FM24 H46	
QU100	150	100	150	FM24 H31	FM24 H37	
QU120	170	120	170	FM24 H34	FM24 H40	

Specification	<b>Stud bolt M24 DIN938 Grade 8.8 HDG</b>	
Maximum side load without Fv	125 [kN]	
Tightening torque	450 [Nm]	

# Standard rail clip FM24 H31



Item	Description	Material	Type / Dimensions	Norm	Comments
1	Railclip FM24	S235JR H.O.G.	FM24 H31		m = 0,713 [kg]

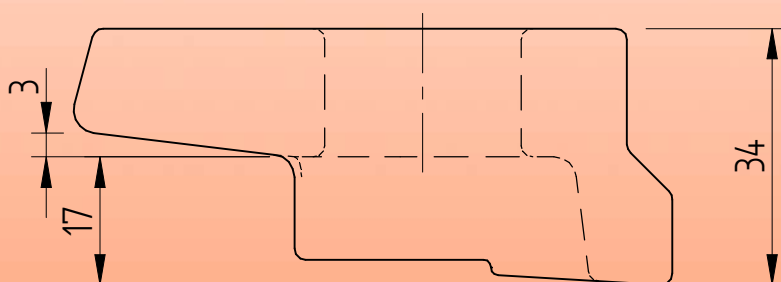
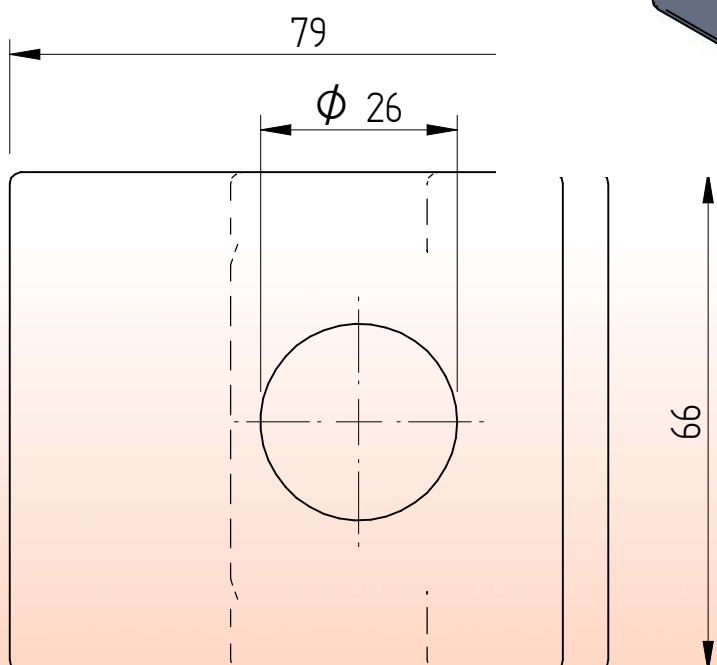
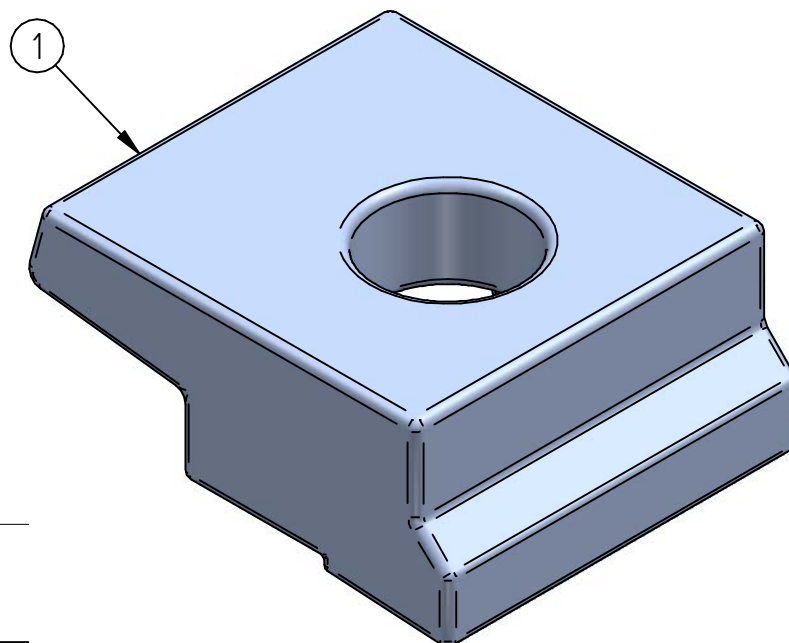


**BemoRail**

Debbemeerweg 59  
1749 DK Warmenhuizen  
The Netherlands

Tel.: +31 (0)226 425300  
Email: info@bemorail.nl  
www.bemorail.com

# Standard rail clip FM24 H34



Item	Description	Material	Type / Dimensions	Norm	Comments
1	Railclip FM24	S235JR H.D.G.	FM24 H34		m = 0,743 [kg]

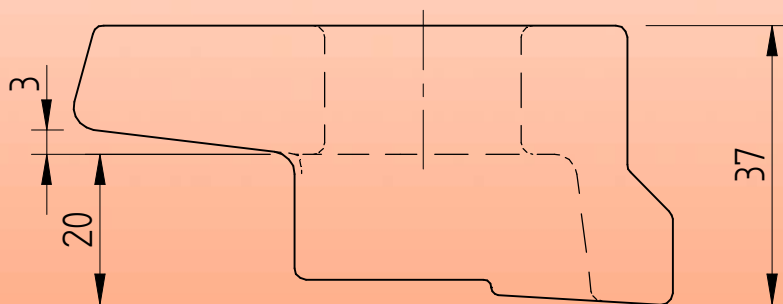
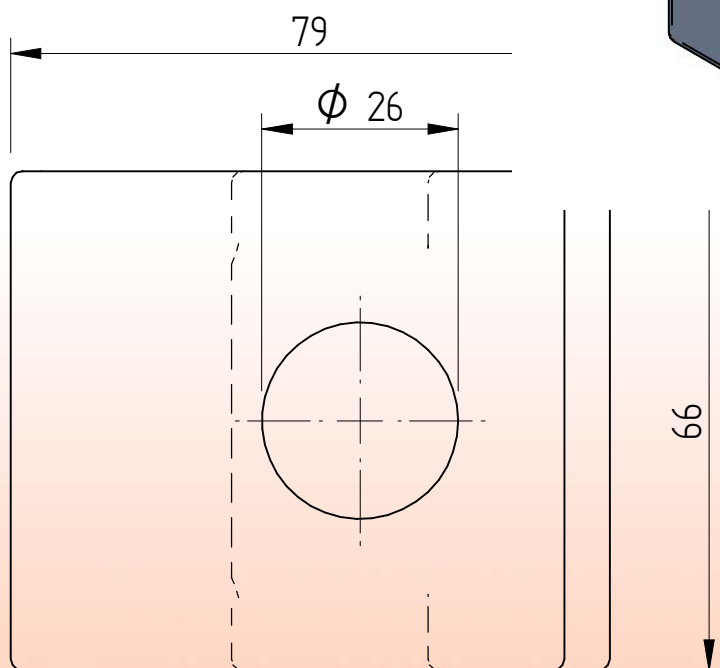
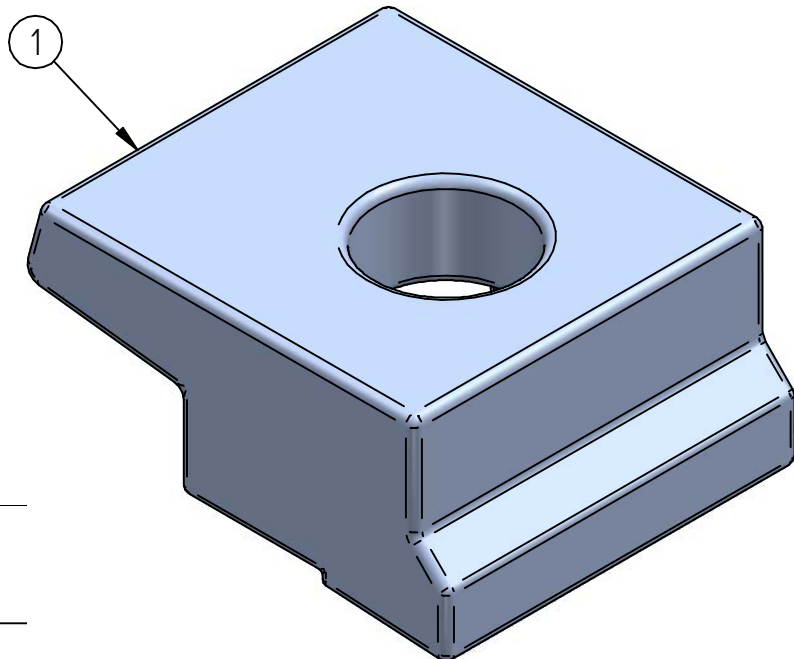


**BemoRail**

Debbemeerweg 59  
1749 DK Warmenhuizen  
The Netherlands

Tel.: +31 (0)226 425300  
Email: info@bemorail.nl  
www.bemorail.com

# Standard rail clip FM24 H37



Item	Description	Material	Type / Dimensions	Norm	Comments
1	Railclip FM24	S235JR H.D.G.	FM24 H37		m = 0,772 [kg]

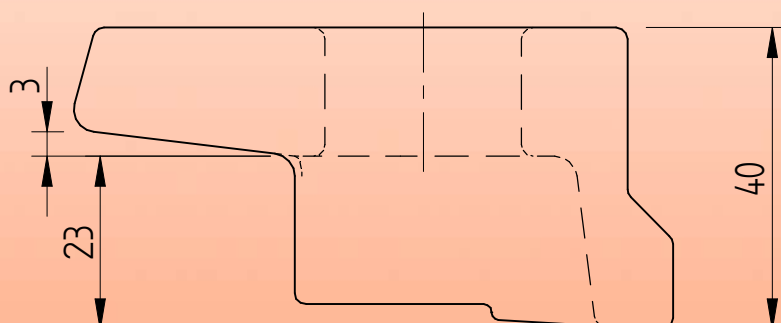
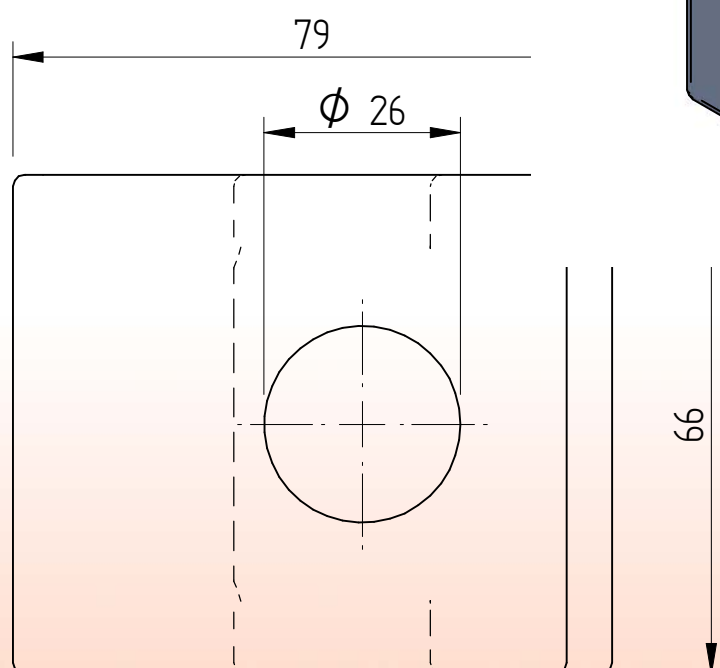
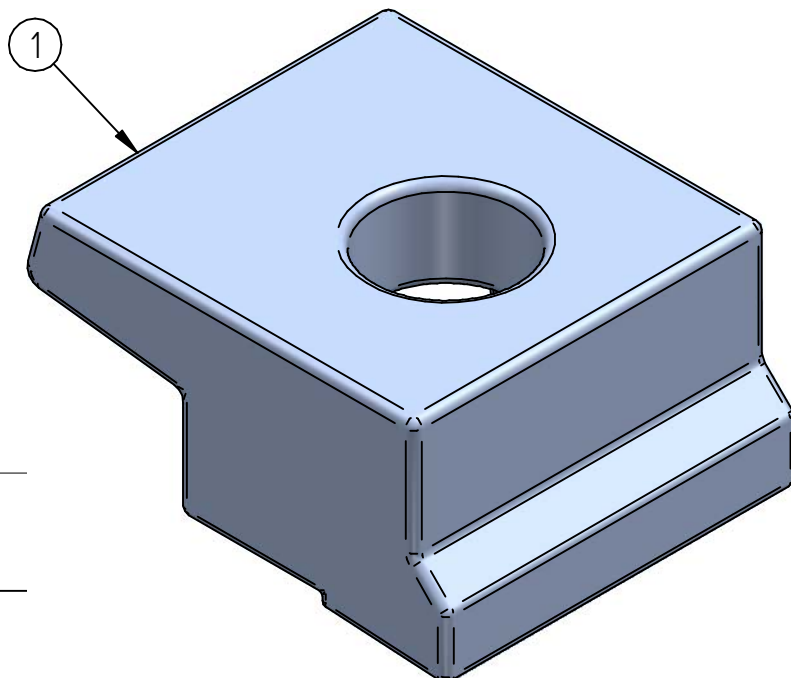


**BemoRail**

Debbemeerweg 59  
1749 DK Warmenhuizen  
The Netherlands

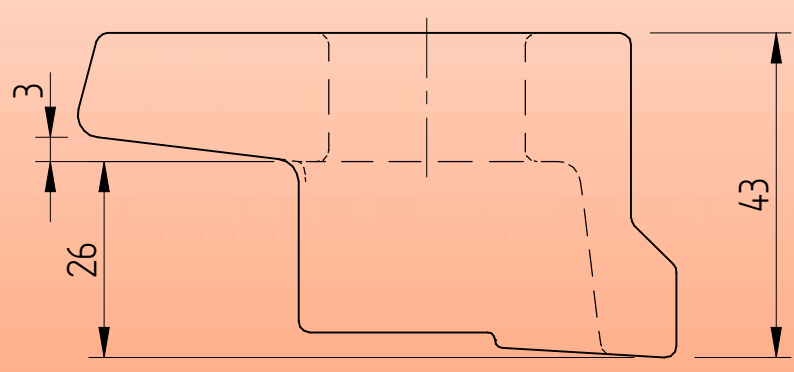
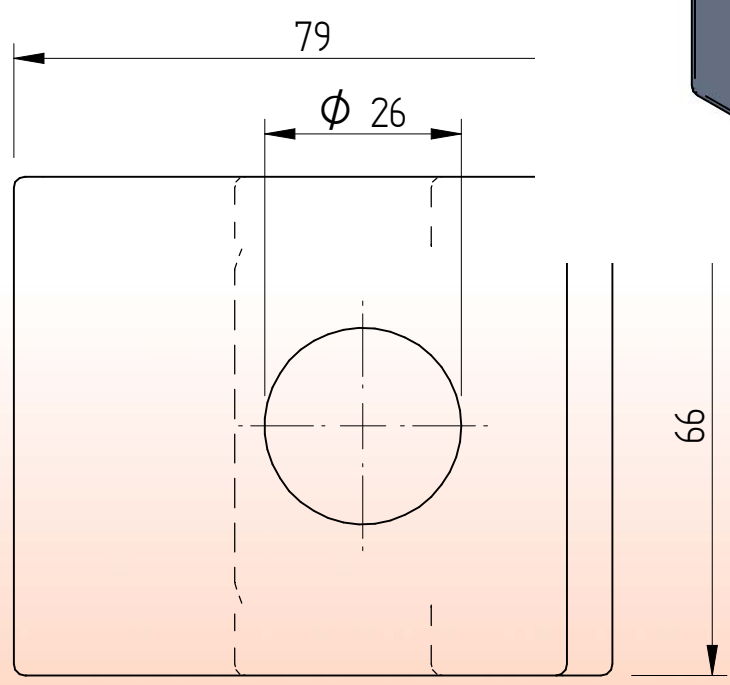
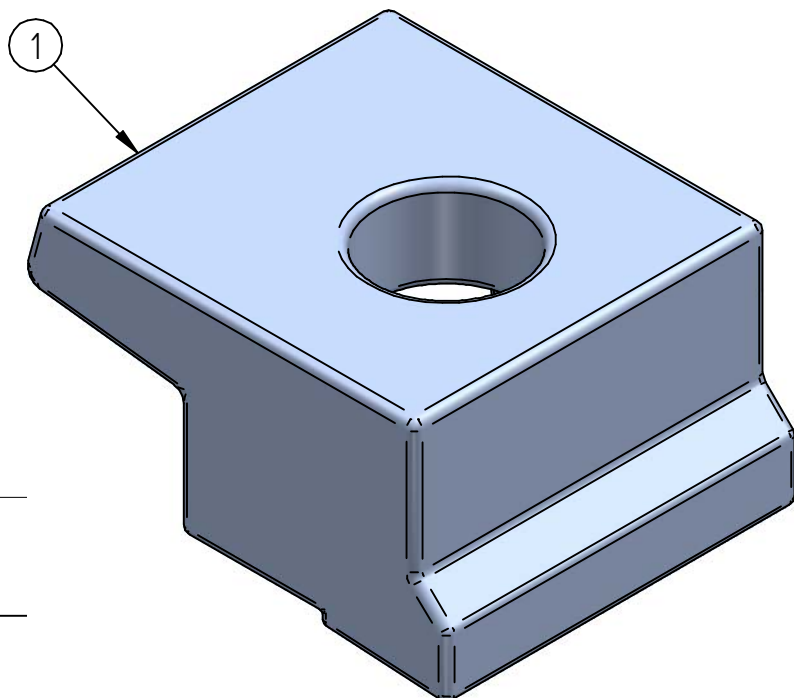
Tel.: +31 (0)226 425300  
Email: info@bemorail.nl  
www.bemorail.com

# Standard rail clip FM24 H40



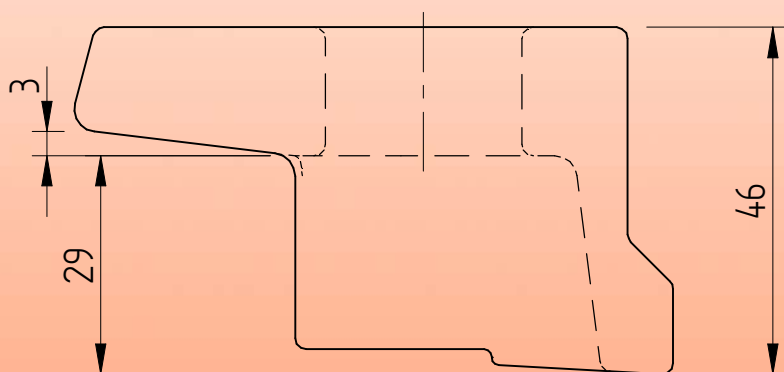
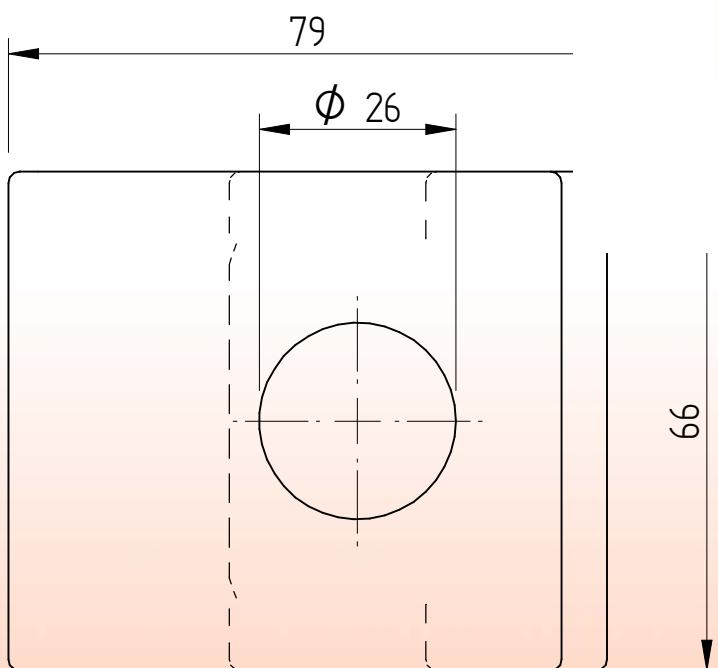
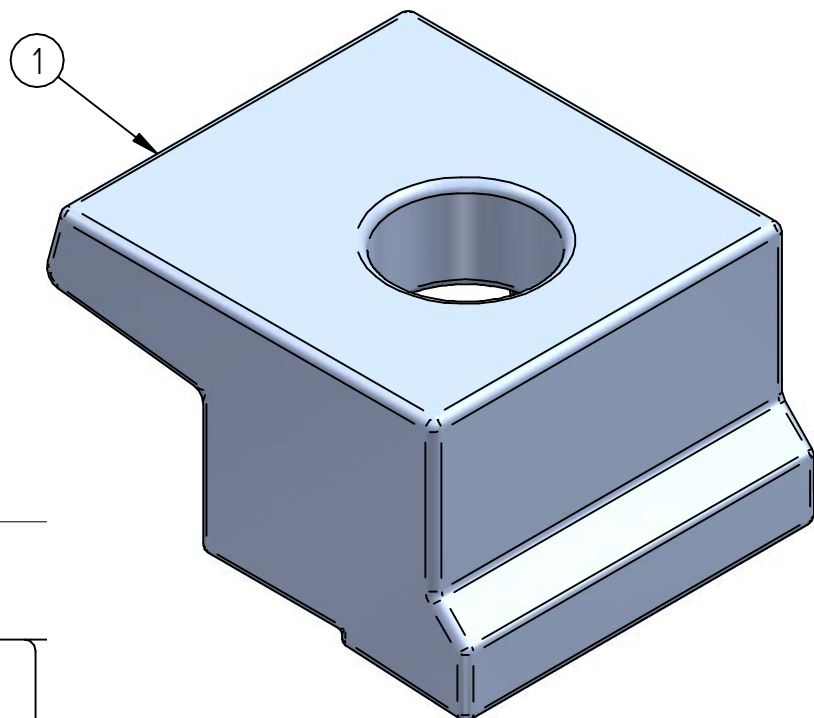
Item	Description	Material	Type / Dimensions	Norm	Comments
1	Railclip FM24	S235JR H.D.G.	FM24 H40		m = 0,799 [kg]

# Standard rail clip FM24 H43



Item	Description	Material	Type / Dimensions	Norm	Comments
1	Railclip FM24	S235JR H.D.G.	FM24 H43		m = 0,826 [kg]

# Standard rail clip FM24 H46



Item	Description	Material	Type / Dimensions	Norm	Comments
1	Railclip FM24	S235JR H.D.G.	FM24 H46		m = 0,852 [kg]

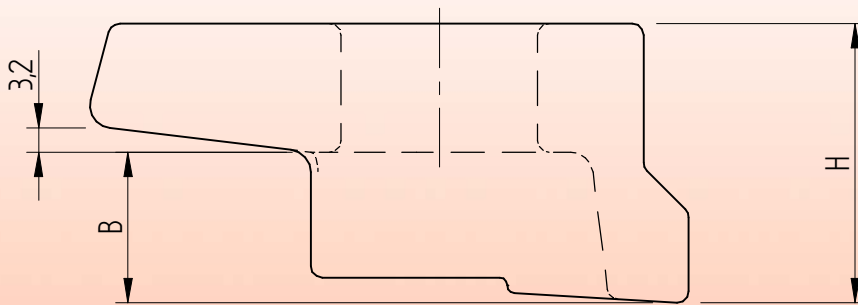
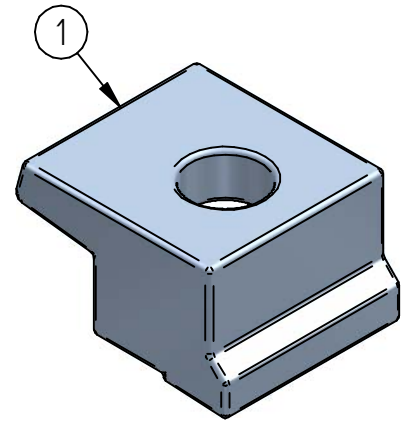
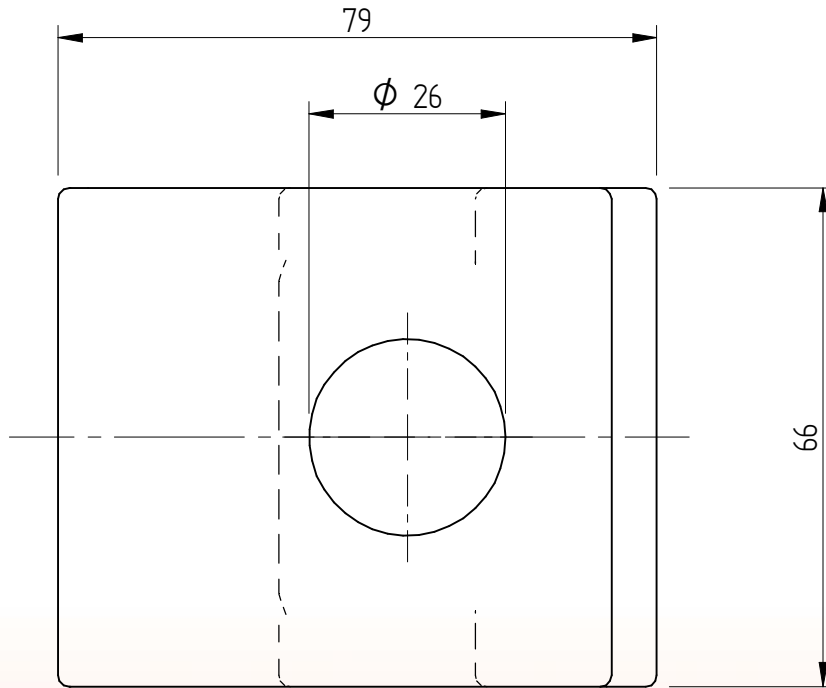


**BemoRail**

Debbemeerweg 59  
1749 DK Warmenhuizen  
The Netherlands

Tel.: +31 (0)226 425300  
Email: info@bemorail.nl  
www.bemorail.com

# Standard rail clip FM24



Name	B	H	Mass
FM24 H31	14,0 [mm]	31,0 [mm]	0,713 [kg]
FM24 H34	17,0 [mm]	34,0 [mm]	0,743 [kg]
FM24 H37	20,0 [mm]	37,0 [mm]	0,772 [kg]
FM24 H40	23,0 [mm]	40,0 [mm]	0,799 [kg]
FM24 H43	26,0 [mm]	43,0 [mm]	0,820 [kg]
FM24 H46	29,0 [mm]	46,0 [mm]	0,852 [kg]

\* Standard preservation is hot dip galvanized  
Other preservation options in agreement

Item	Description	Material	Type / Dimensions	Norm	Comments
1	Railclip	S235JR*	FM24		



**BemoRail**

Debbemeerweg 59  
1749 DK Warmenhuizen  
The Netherlands

Tel.: +31 (0)226 425300  
Email: [info@bemorail.nl](mailto:info@bemorail.nl)  
[www.bemorail.com](http://www.bemorail.com)