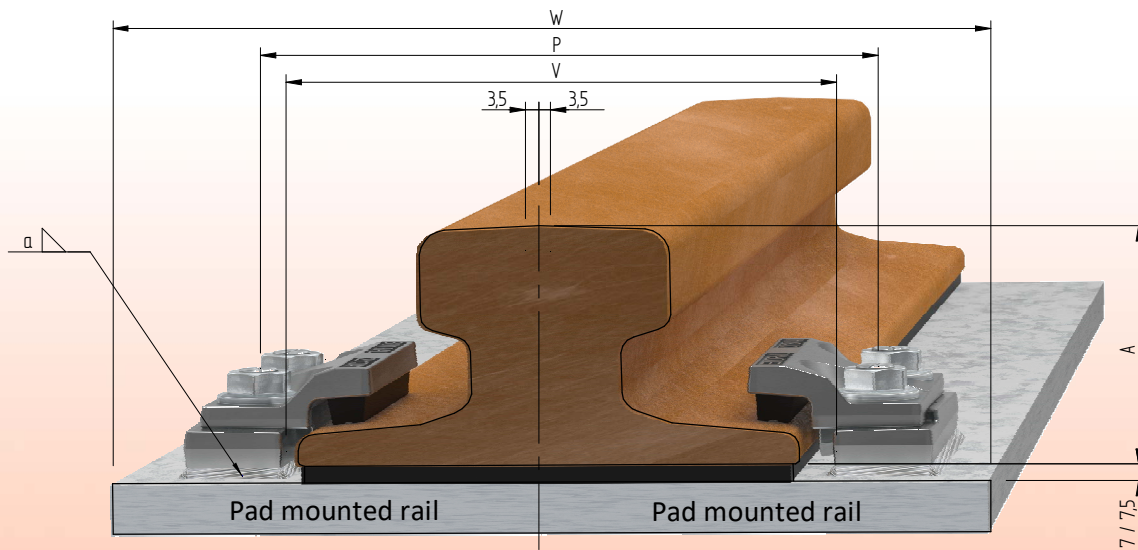


Weldable trolley rail clip

22-130-B16

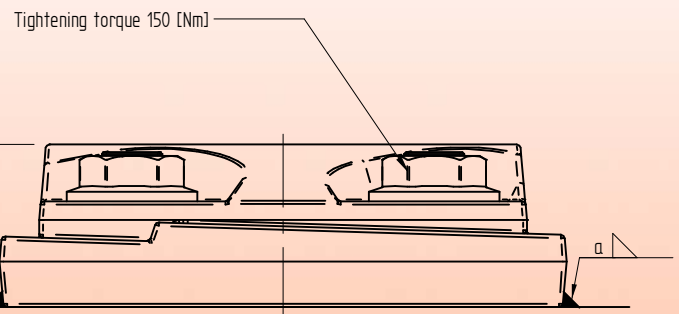
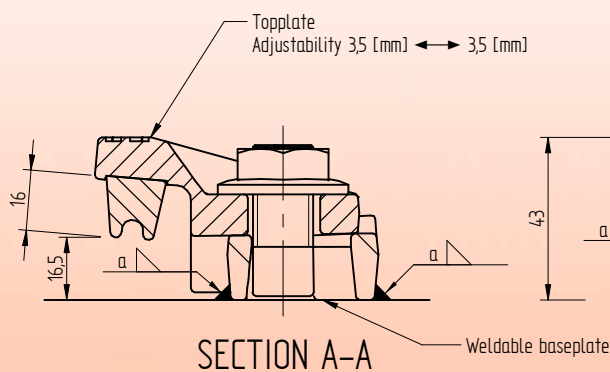
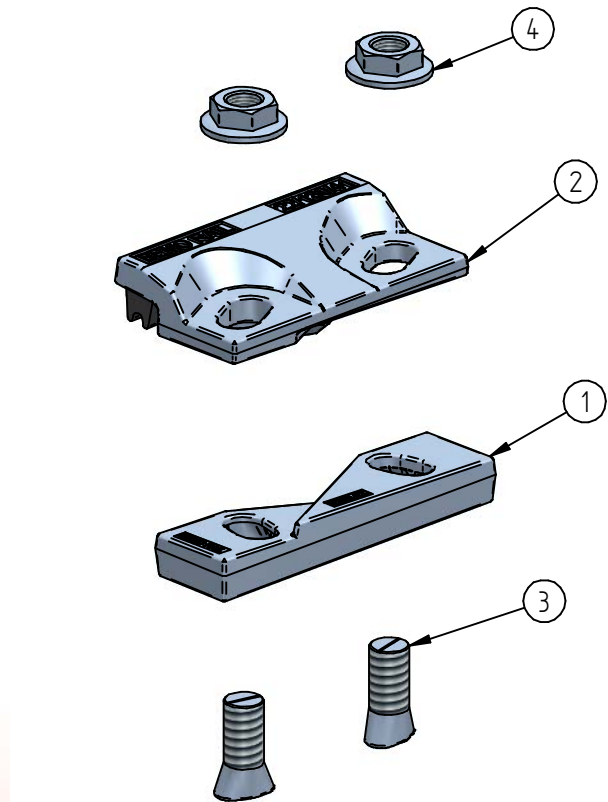
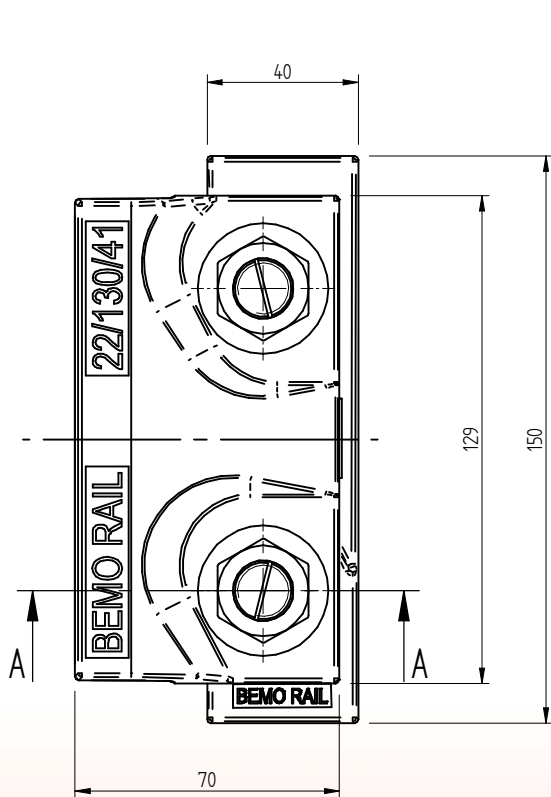


	Inside distance between baseplates			V	Rail base + 19	[mm]
	Distance between bolts M16			P	Rail base + 49	[mm]
	Minimum width sole plate			W	Rail base + 110	[mm]
	F [mm]	C [mm]	A [mm]	Pad mounted rail		
A65	175	65	75	22-130-B16		
A75	200	75	85	22-130-B16		
A100	200	100	95	22-130-B16		

Specification Bolts		Fillet weld	Max side load [kN]	
Hexagon headscrew:	ISO4017 / DIN933	a4	210 [kN]	
Steel grade:	8.8 HDG			
Tightening torque:	200 [Nm]			

Weldable trolley rail clip

22-130



* Standard preservation is hot dip galvanized
Other preservation options in agreement

4	Low Hexagon flange nut	Grade 8 H.D.G.	M16 ISO-metric	-	m = 0,040 [kg]
3	Clamp bolt	Grade 8.8 HDG.	TC-M16x40 H.D.G.	-	m = 0,061 [kg]
2	Weldable adjustable rail clamp cover with rubber nose	S355J2*	21/130/41/16-cover		m = 0,835 [kg]
1	Weldable adjustable rail clamp base	S355J2 self coloured	22/130/21-base		m = 0,607 [kg]
Item	Description	Material	Type / Dimensions	Norm	Comments