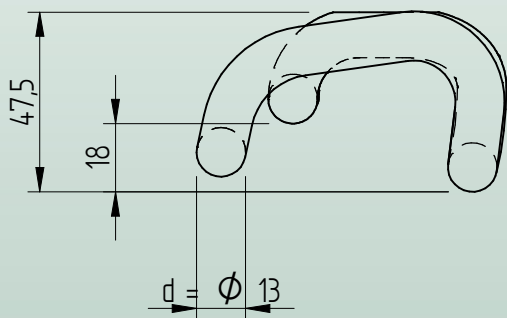
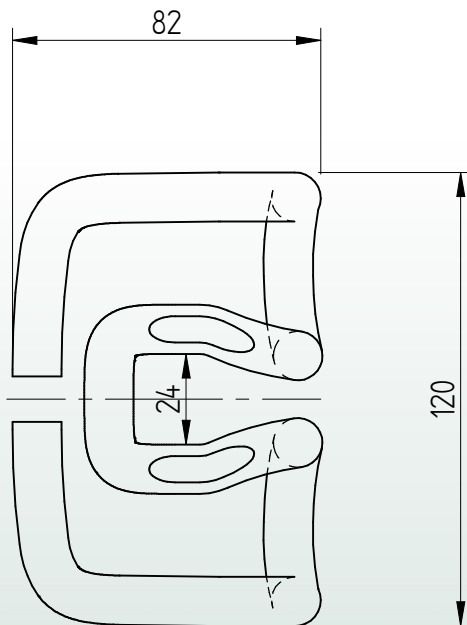
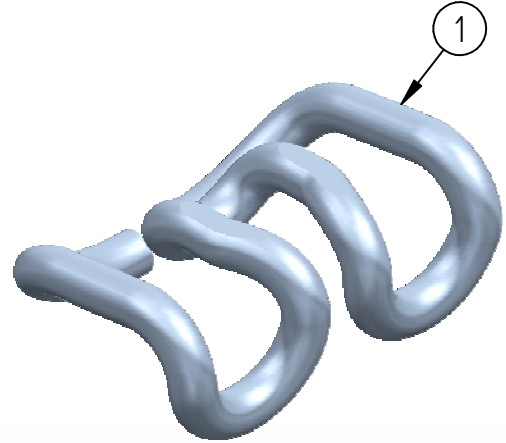


# Spring clip SKL3



\* Standard preservation is lacquered is dacromet.  
Other preservation options in agreement

1	Spring clamp	38Si7*	SKL3		m = 0,523 [kg]
Item	Description	Material	Type / Dimensions	Norm	Comments